



SHOP  
63 FLUSHING AVE, BLDG 132  
BROOKLYN, NY 11205  
TEL. 718.855.2170  
www.situ.nyc/fabrication

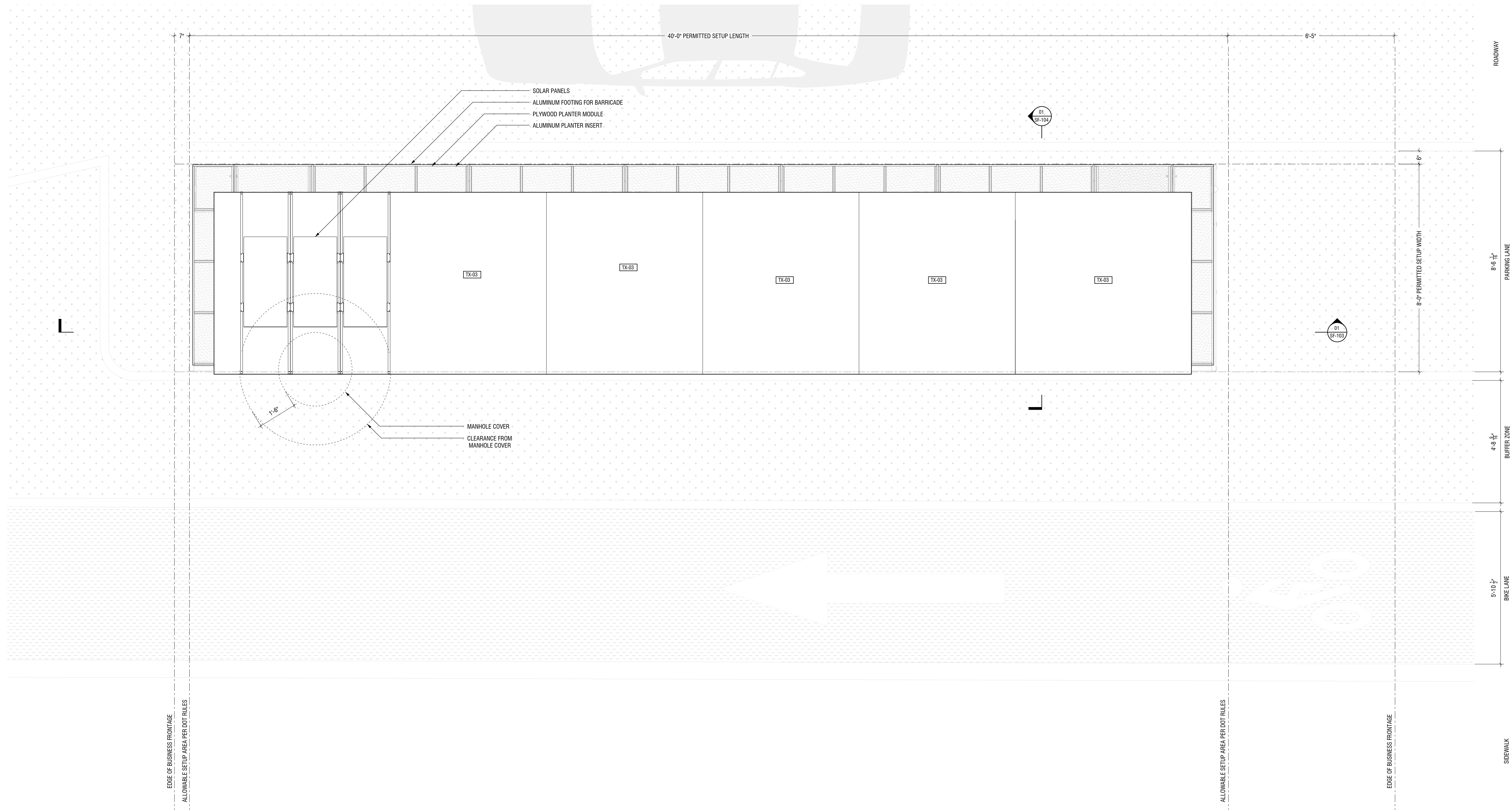
OFFICE  
141 FLUSHING AVE, BLDG 77, SUITE 508  
BROOKLYN, NY 11205  
TEL. 718.237.5795

© 2023 SITU FABRICATION LLC. ALL RIGHTS RESERVED

The City has made available for download drawings from the Dining Out NYC Setup Menu Prototype project that were prepared by a registered design professional. These drawings have been made available for informational purposes only. The drawings are provided as-is, and the City of New York disclaims to the greatest extent permitted by law any and all warranties in connection with them.

Each drawing was designed and developed for a specific prototype location and may not be appropriate for other locations. Every location has unique features and site conditions, so make sure that every outdoor dining setup component you choose is appropriate for your sidewalk or roadway cafe.

These drawings and all information contained within, both directly and inferred, are for design guidance only and not to be used for construction, fabrication, or installation. SITU Fabrication ("SITU") and WXY Architecture and Urban Design ("WXY") accept no liability for any type of use of these drawings. SITU and WXY have no responsibility for any deficiencies, inaccuracies, errors and/or omissions contained in these drawings. Compliance with ADA and NYC Building Code needs to be reviewed and confirmed by a registered design professional. All systems, hardware, materials, detailing, methods, and connections need to be reviewed and confirmed by a registered structural engineer.



FINISH LIST	
ITEM	DESCRIPTION
M-01	ALUMINUM, ORBITAL SAND FINISH
TX-03	BLUE WEATHERPROOF TEXTILE
TX-04	TRANSPARENT VINYL
WD-02	CLEAR COATED PLYWOOD

ISSUES AND REVISIONS		
#	DESCRIPTION	DATE
1	ISSUE FOR APPROVAL	00/00/00

DESIGNERS  
WXY ARCHITECTURE + URBAN DESIGN  
25 PARK PL.  
NEW YORK, NY 10007

SITU FABRICATION  
141 FLUSHING AVE,  
BLDG 77 SUITE 508,  
BROOKLYN, NY 11205

OWNER  
BODRUM  
384 AMSTERDAM AVE  
NEW YORK, NY 10024

COMMISSIONED BY  
NYC DEPARTMENT OF TRANSPORTATION  
55 WATER STREET  
NEW YORK, NY 10041

**DINING OUT NYC: SETUP MENU**  
FLOATING PARKING LANE SHOP DRAWINGS

OVERALL PLAN

DRAWN BY	MM	CHECKED BY	DJ
JOB #	[10266]	DATE	3/6/2024

DRAWING #  
**SF-102**

FOR INFORMATIONAL PURPOSES ONLY

**SITU**/Fabrication

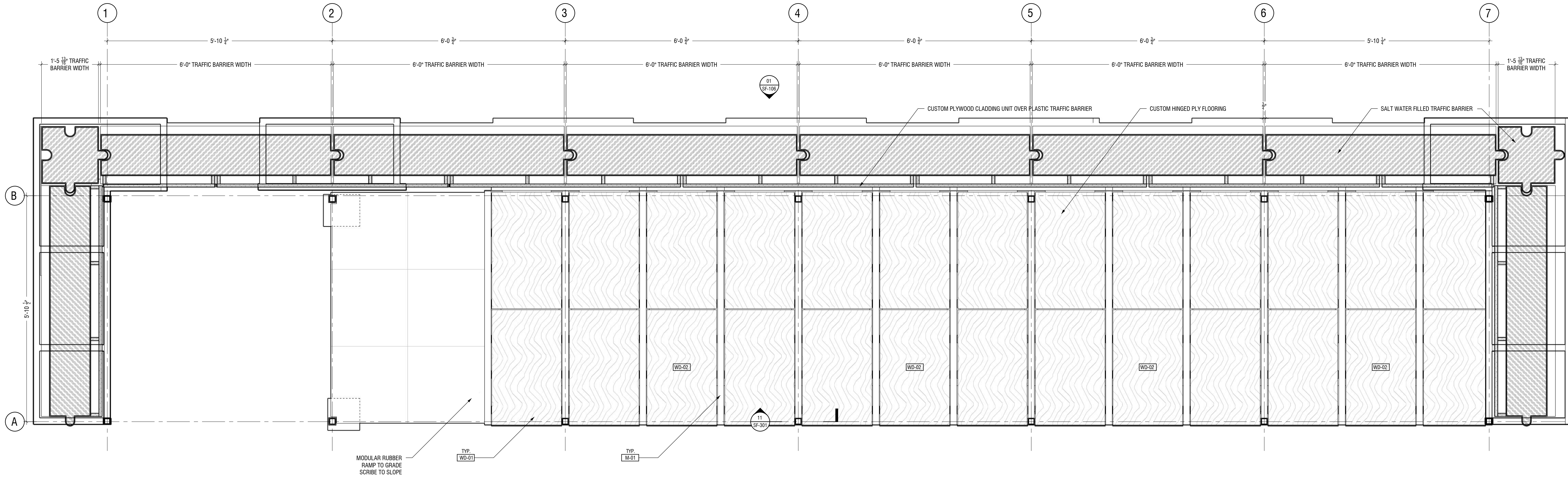
SHOP  
63 FLUSHING AVE, BLDG 132  
BROOKLYN, NY 11205  
TEL. 718.855.2170  
www.situ.nyc/fabrication

OFFICE  
141 FLUSHING AVE, BLDG 77, SUITE 508  
BROOKLYN, NY 11205  
TEL. 718.237.5795

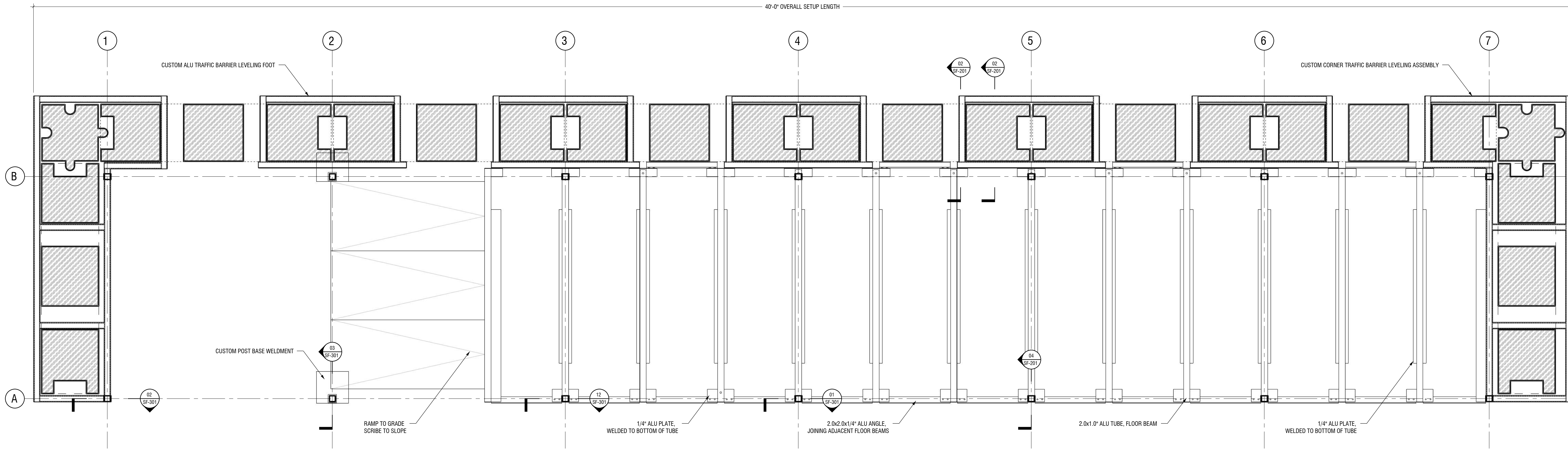
The City has made available for download drawings from the Dining Out NYC Setup Menu Prototype project that were prepared by a registered design professional. These drawings have been made available for informational purposes only. The drawings are provided as-is, and the City of New York disclaims to the greatest extent permitted by law any and all warranties in connection with them.

Each drawing was designed and developed for a specific prototype location and may not be appropriate for other locations. Every location has unique features and site conditions, so make sure that every outdoor dining setup component you choose is appropriate for your sidewalk or roadway cafe.

These drawings and all information contained within, both directly and inferred, are for design guidance only and not to be used for construction, fabrication, or installation. SITU Fabrication ("SITU") and WXY Architecture and Urban Design ("WXY") accept no liability for any type of use of these drawings. SITU and WXY have no responsibility for any deficiencies, inaccuracies, errors and/or omissions contained in these drawings. Compliance with ADA and NYC Building Code needs to be reviewed and confirmed by a registered design professional. All systems, hardware, materials, detailing, methods, and connections need to be reviewed and confirmed by a registered structural engineer.



01 FINISH FLOOR PLAN  
SCALE: 3/4"=1'-0"



01 SUBFLOOR PLAN  
SCALE: 3/4"=1'-0"

FINISH LIST	
ITEM	DESCRIPTION
M-01	ALUMINUM, ORBITAL SAND FINISH
TX-03	BLUE WEATHERPROOF TEXTILE
TX-04	TRANSPARENT VINYL
WD-02	CLEAR COATED PLYWOOD

ISSUES AND REVISIONS		
#	DESCRIPTION	DATE
1	ISSUE FOR APPROVAL	00/00/00

DESIGNERS  
WXY ARCHITECTURE  
+ URBAN DESIGN  
25 PARK PL.  
NEW YORK, NY 10007

SITU FABRICATION  
141 FLUSHING AVE.  
BLDG 77 SUITE 508,  
BROOKLYN, NY 11205

OWNER  
BODRUM  
384 AMSTERDAM AVE  
NEW YORK, NY 10024

COMMISSIONED BY  
NYC DEPARTMENT OF TRANSPORTATION  
55 WATER STREET  
NEW YORK, NY 10041

**DINING OUT NYC: SETUP MENU**  
FLOATING PARKING LANE SHOP DRAWINGS

ENLARGED PLANS

DRAWN BY: MM CHECKED BY: DJ  
JOB #: [10266] DATE: 3/6/2024

DRAWING #  
**SF-103**

SHOP  
63 FLUSHING AVE, BLDG 132  
BROOKLYN, NY 11205  
TEL. 718.855.2170  
www.situ.nyc/fabrication

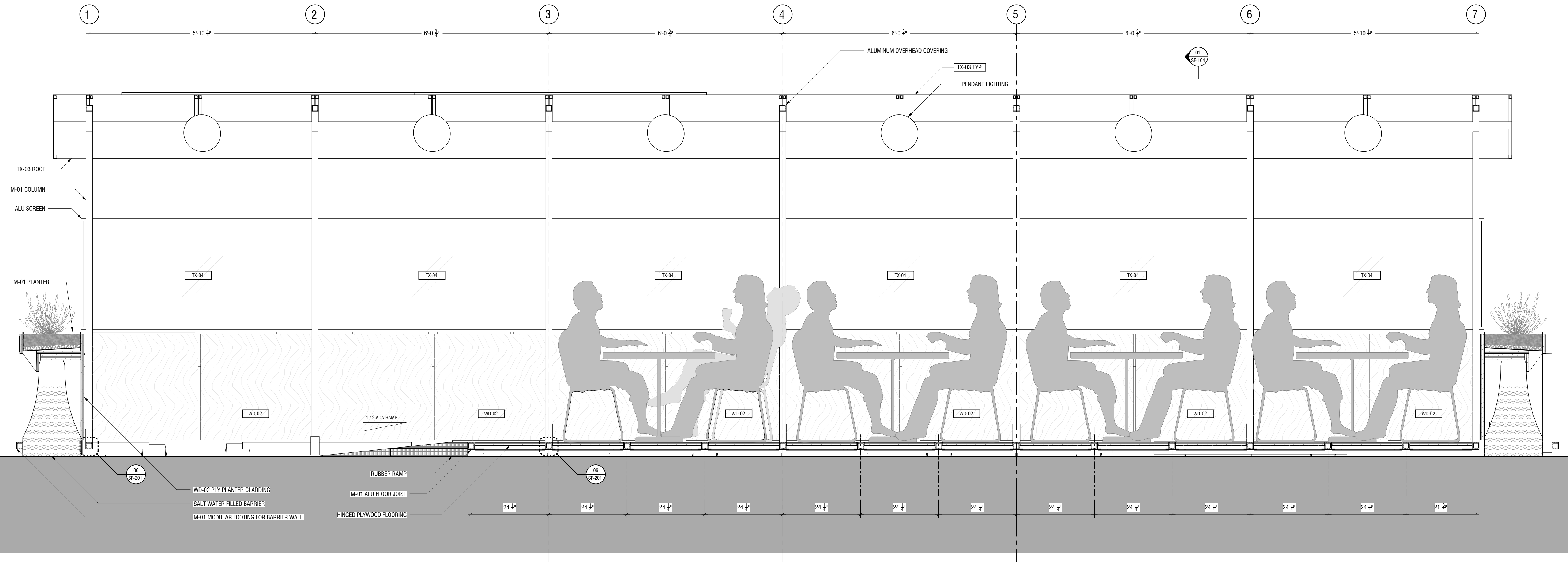
OFFICE  
141 FLUSHING AVE, BLDG 77, SUITE 508  
BROOKLYN, NY 11205  
TEL. 718.237.5795

© 2023 SITU FABRICATION LLC. ALL RIGHTS RESERVED

The City has made available for download drawings from the Dining Out NYC Setup Menu Prototype project that were prepared by a registered design professional. These drawings have been made available for informational purposes only. The drawings are provided as-is, and the City of New York disclaims to the greatest extent permitted by law any and all warranties in connection with them.

Each drawing was designed and developed for a specific prototype location and may not be appropriate for other locations. Every location has unique features and site conditions, so make sure that every outdoor dining setup component you choose is appropriate for your sidewalk or roadway cafe.

These drawings and all information contained within, both directly and inferred, are for design guidance only and not to be used for construction, fabrication, or installation. SITU Fabrication ("SITU") and WXY Architecture and Urban Design ("WXY") accept no liability for any type of use of these drawings. SITU and WXY have no responsibility for any deficiencies, inaccuracies, errors and/or omissions contained in these drawings. Compliance with ADA and NYC Building Code needs to be reviewed and confirmed by a registered design professional. All systems, hardware, materials, detailing, methods, and connections need to be reviewed and confirmed by a registered structural engineer.



FINISH LIST	
ITEM	DESCRIPTION
M-01	ALUMINUM, ORBITAL SAND FINISH
TX-03	BLUE WEATHERPROOF TEXTILE
TX-04	TRANSPARENT VINYL
WD-02	CLEAR COATED PLYWOOD

ISSUES AND REVISIONS		
#	DESCRIPTION	DATE
1	ISSUE FOR APPROVAL	00/00/00

DESIGNERS:  
WXY ARCHITECTURE + URBAN DESIGN  
25 PARK PL.  
NEW YORK, NY 10007

SITU FABRICATION  
141 FLUSHING AVE.  
BLDG 77 SUITE 508,  
BROOKLYN, NY 11205

OWNER:  
BODRUM  
384 AMSTERDAM AVE  
NEW YORK, NY 10024

COMMISSIONED BY:  
NYC DEPARTMENT OF TRANSPORTATION  
35 WATER STREET  
NEW YORK, NY 10041

**DINING OUT NYC: SETUP MENU**  
FLOATING PARKING LANE SHOP DRAWINGS

OVERALL SECTION, LONGITUDINAL

DRAWN BY: MM      CHECKED BY: DJ  
JOB #: [10266]      DATE: 3/6/2024

DRAWING #  
**SF-201**

01 LONGITUDINAL SECTION  
SCALE: 3/4"=1'-0"

SHOP  
63 FLUSHING AVE, BLDG 132  
BROOKLYN, NY 11205  
TEL. 718.855.2170  
www.situ.nyc/fabrication

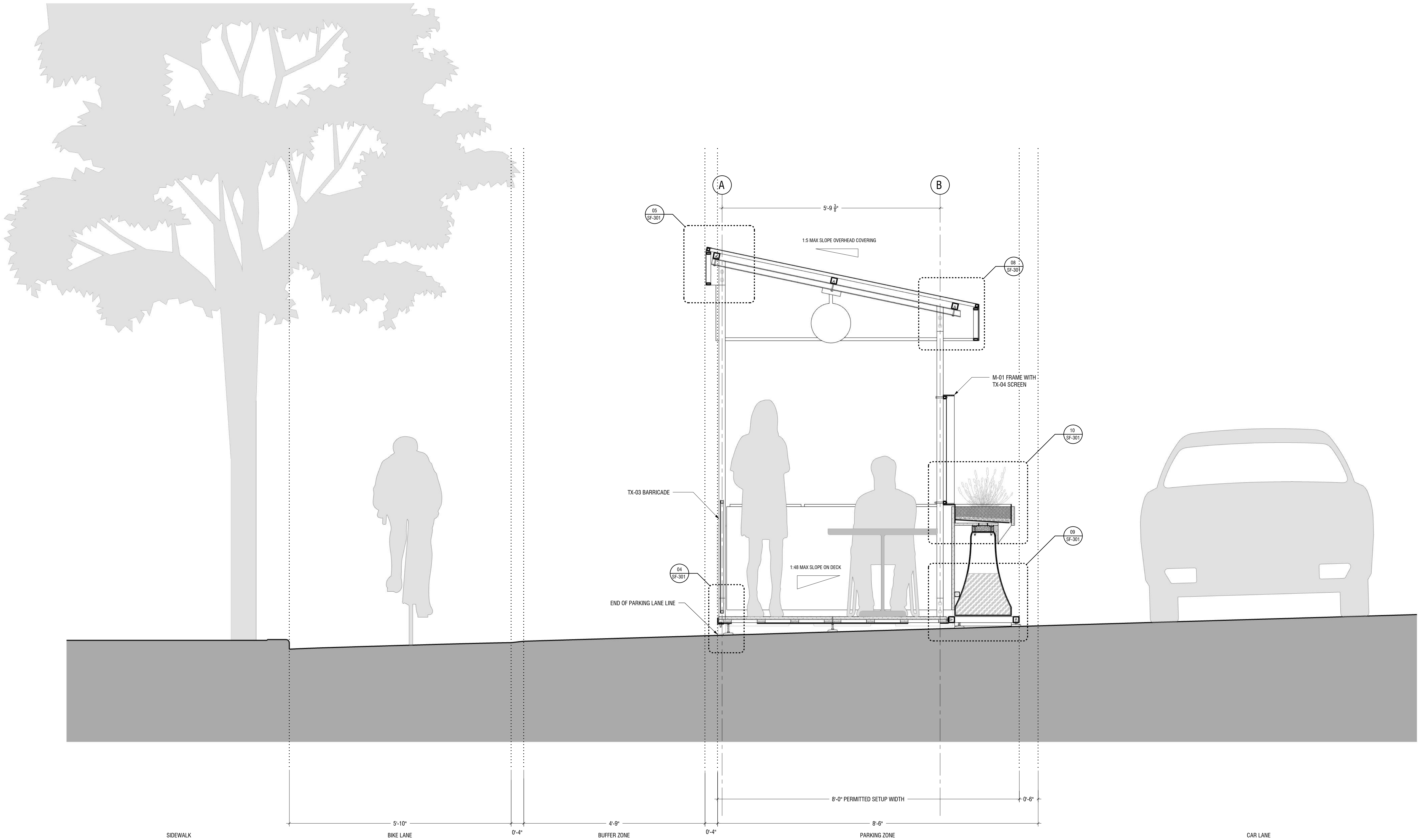
OFFICE  
141 FLUSHING AVE, BLDG 77, SUITE 508  
BROOKLYN, NY 11205  
TEL. 718.237.5795

© 2023 SITU FABRICATION LLC. ALL RIGHTS RESERVED

The City has made available for download drawings from the Dining Out NYC Setup Menu Prototype project that were prepared by a registered design professional. These drawings have been made available for informational purposes only. The drawings are provided as-is, and the City of New York disclaims to the greatest extent permitted by law any and all warranties in connection with them.

Each drawing was designed and developed for a specific prototype location and may not be appropriate for other locations. Every location has unique features and site conditions, so make sure that every outdoor dining setup component you choose is appropriate for your sidewalk or roadway cafe.

These drawings and all information contained within, both directly and inferred, are for design guidance only and not to be used for construction, fabrication, or installation. SITU Fabrication ("SITU") and WXY Architecture and Urban Design ("WXY") accept no liability for any type of use of these drawings. SITU and WXY have no responsibility for any deficiencies, inaccuracies, errors and/or omissions contained in these drawings. Compliance with ADA and NYC Building Code needs to be reviewed and confirmed by a registered design professional. All systems, hardware, materials, detailing, methods, and connections need to be reviewed and confirmed by a registered structural engineer.



FINISH LIST	
ITEM	DESCRIPTION
M-01	ALUMINUM, ORBITAL SAND FINISH
TX-03	BLUE WEATHERPROOF TEXTILE
TX-04	TRANSPARENT VINYL
WD-02	CLEAR COATED PLYWOOD

ISSUES AND REVISIONS		
#	DESCRIPTION	DATE
1	ISSUE FOR APPROVAL	00/00/00

DESIGNERS  
WXY ARCHITECTURE + URBAN DESIGN  
25 PARK PL.  
NEW YORK, NY 10007

SITU FABRICATION  
141 FLUSHING AVE,  
BLDG 77 SUITE 508,  
BROOKLYN, NY 11205

OWNER  
BODRUM  
384 AMSTERDAM AVE  
NEW YORK, NY 10024

COMMISSIONED BY  
NYC DEPARTMENT OF TRANSPORTATION  
55 WATER STREET  
NEW YORK, NY 10041

**DINING OUT NYC: SETUP MENU**  
FLOATING PARKING LANE SHOP DRAWINGS

OVERALL SECTION, LATITUDINAL

DRAWN BY MM CHECKED BY DJ  
JOB # [10266] DATE 3/6/2024

DRAWING # SF-202

SHOP  
63 FLUSHING AVE, BLDG 132  
BROOKLYN, NY 11205  
TEL. 718.855.2170  
www.situ.nyc/fabrication

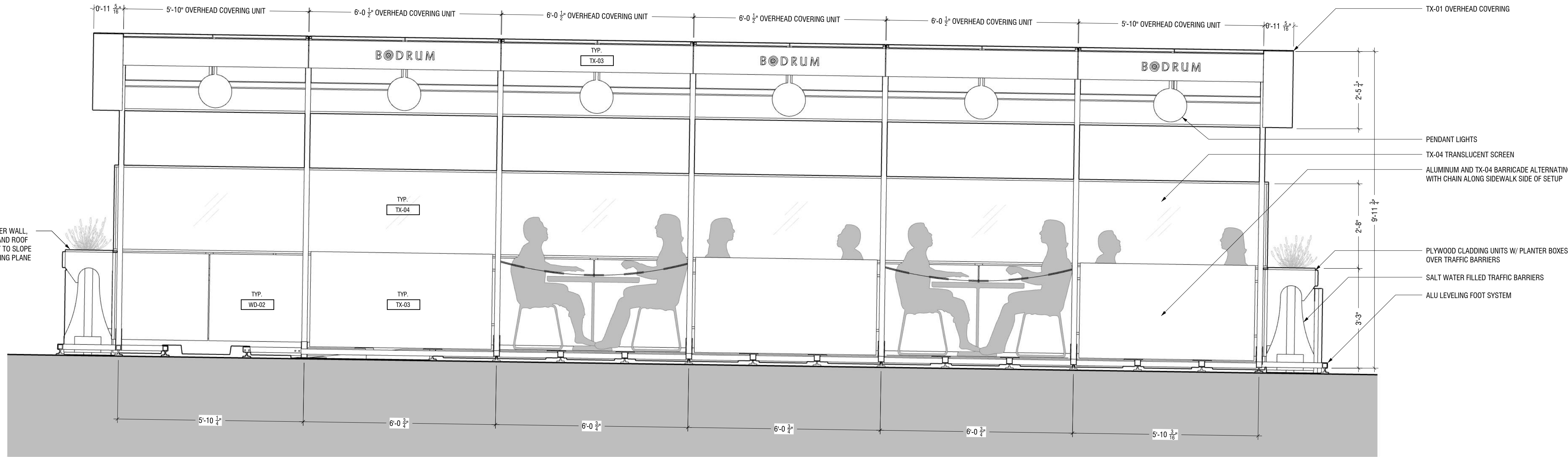
OFFICE  
141 FLUSHING AVE, BLDG 77, SUITE 508  
BROOKLYN, NY 11205  
TEL. 718.237.5795

© 2023 SITU FABRICATION LLC. ALL RIGHTS RESERVED

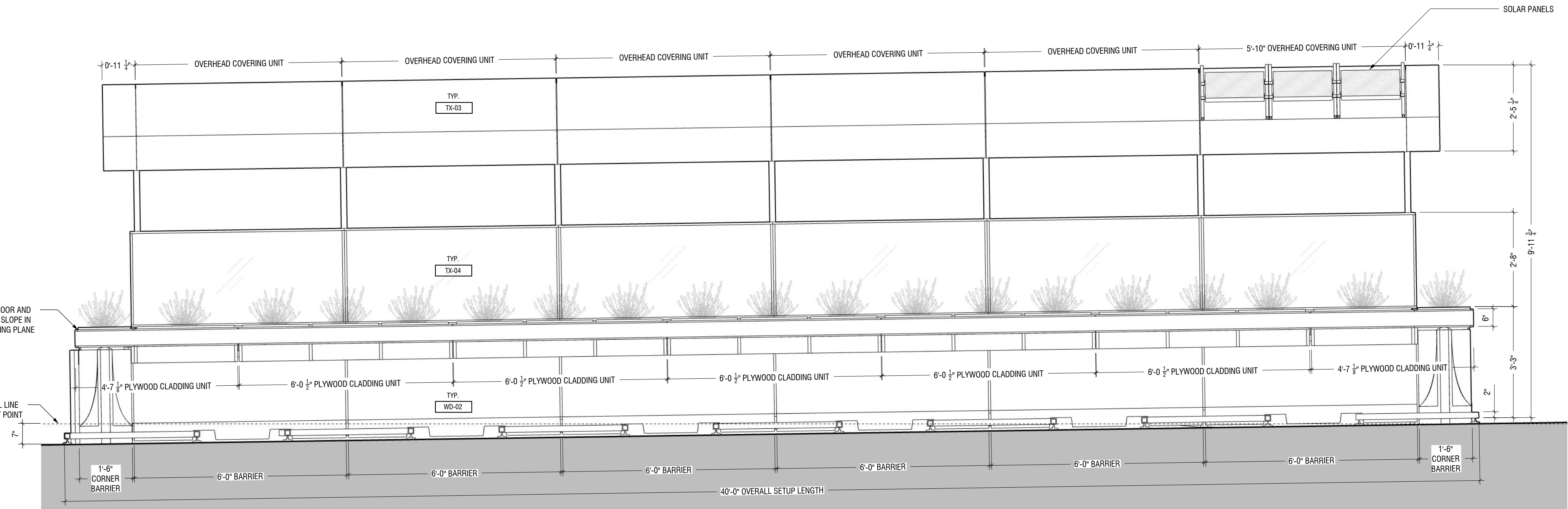
The City has made available for download drawings from the Dining Out NYC Setup Menu Prototype project that were prepared by a registered design professional. These drawings have been made available for informational purposes only. The drawings are provided as-is, and the City of New York disclaims to the greatest extent permitted by law any and all warranties in connection with them.

Each drawing was designed and developed for a specific prototype location and may not be appropriate for other locations. Every location has unique features and site conditions, so make sure that every outdoor dining setup component you choose is appropriate for your sidewalk or roadway cafe.

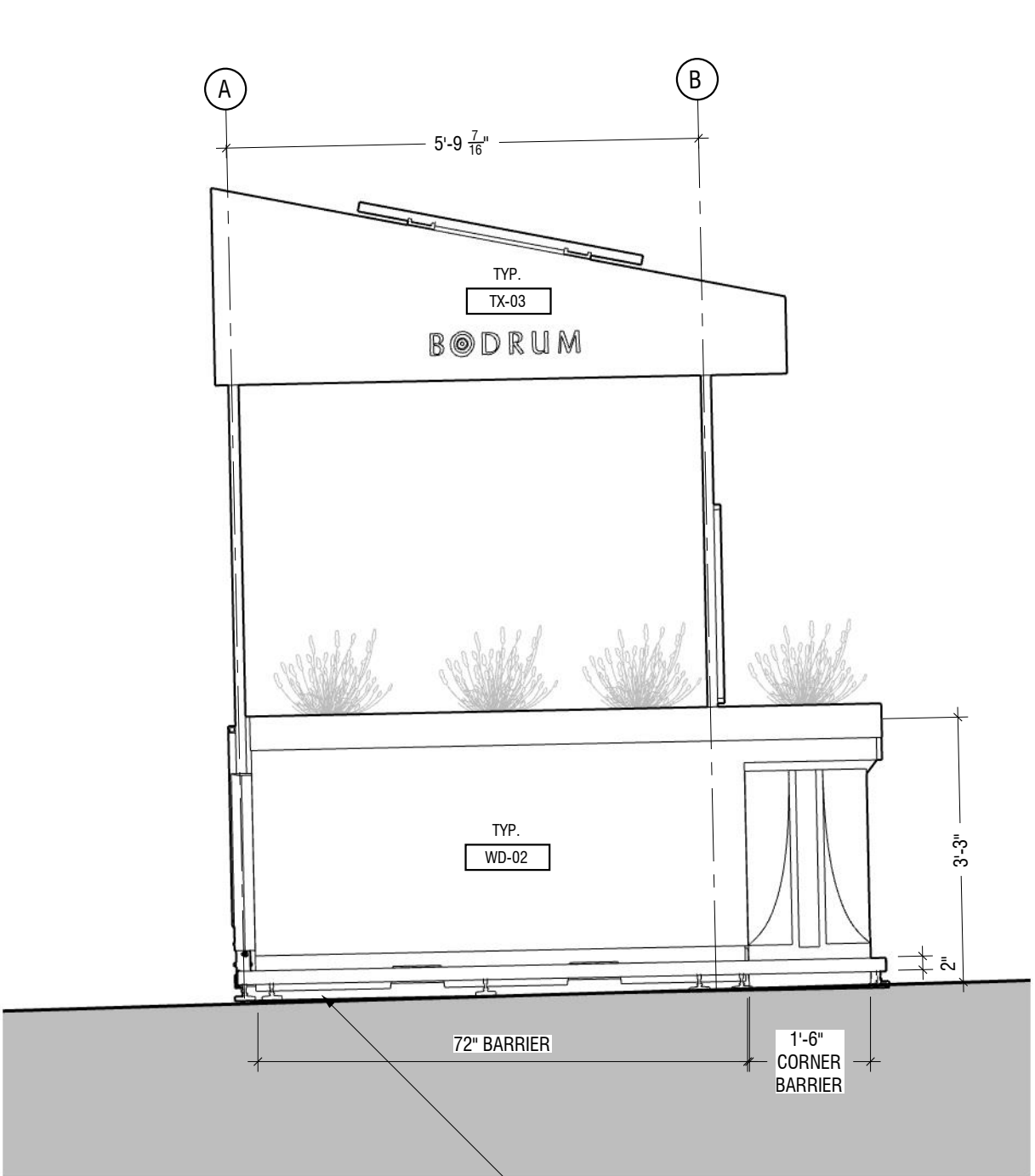
These drawings and all information contained within, both directly and inferred, are for design guidance only and not to be used for construction, fabrication, or installation. SITU Fabrication ("SITU") and WXY Architecture and Urban Design ("WXY") accept no liability for any type of use of these drawings. SITU and WXY have no responsibility for any deficiencies, inaccuracies, errors and/or omissions contained in these drawings. Compliance with ADA and NYC Building Code needs to be reviewed and confirmed by a registered design professional. All systems, hardware, materials, detailing, methods, and connections need to be reviewed and confirmed by a registered structural engineer.



03 SIDEWALK ELEVATION  
SCALE: 1/2"=1'-0"



02 STREET ELEVATION  
SCALE: 1/2"=1'-0"



01 SIDE ELEVATION  
SCALE: 1/2"=1'-0"

FINISH LIST	
ITEM	DESCRIPTION
MA-01	ALUMINUM, ORBITAL SAND FINISH
TX-03	BLUE WEATHERPROOF TEXTILE
TX-04	TRANSPARENT VINYL
WD-02	CLEAR COATED PLYWOOD

ISSUES AND REVISIONS		
#	DESCRIPTION	DATE
1	ISSUE FOR APPROVAL	00/00/00

DESIGNERS  
WXY ARCHITECTURE  
+ URBAN DESIGN  
25 PARK PL.  
NEW YORK, NY 10007

SITU FABRICATION  
141 FLUSHING AVE.  
BLDG 77 SUITE 508,  
BROOKLYN, NY 11205

OWNER  
BODRUM  
384 AMSTERDAM AVE  
NEW YORK, NY 10024

COMMISSIONED BY  
NYC DEPARTMENT OF TRANSPORTATION  
55 WATER STREET  
NEW YORK, NY 10041

**DINING OUT NYC: SETUP MENU**  
FLOATING PARKING LANE SHOP DRAWINGS

ELEVATIONS	
DRAWN BY	CHECKED BY
MM	DJ
JOB #	DATE
[10266]	3/6/2024
DRAWING #	

SF-203

SHOP  
63 FLUSHING AVE, BLDG 132  
BROOKLYN, NY 11205  
TEL. 718.855.2170  
www.situ.nyc/fabrication

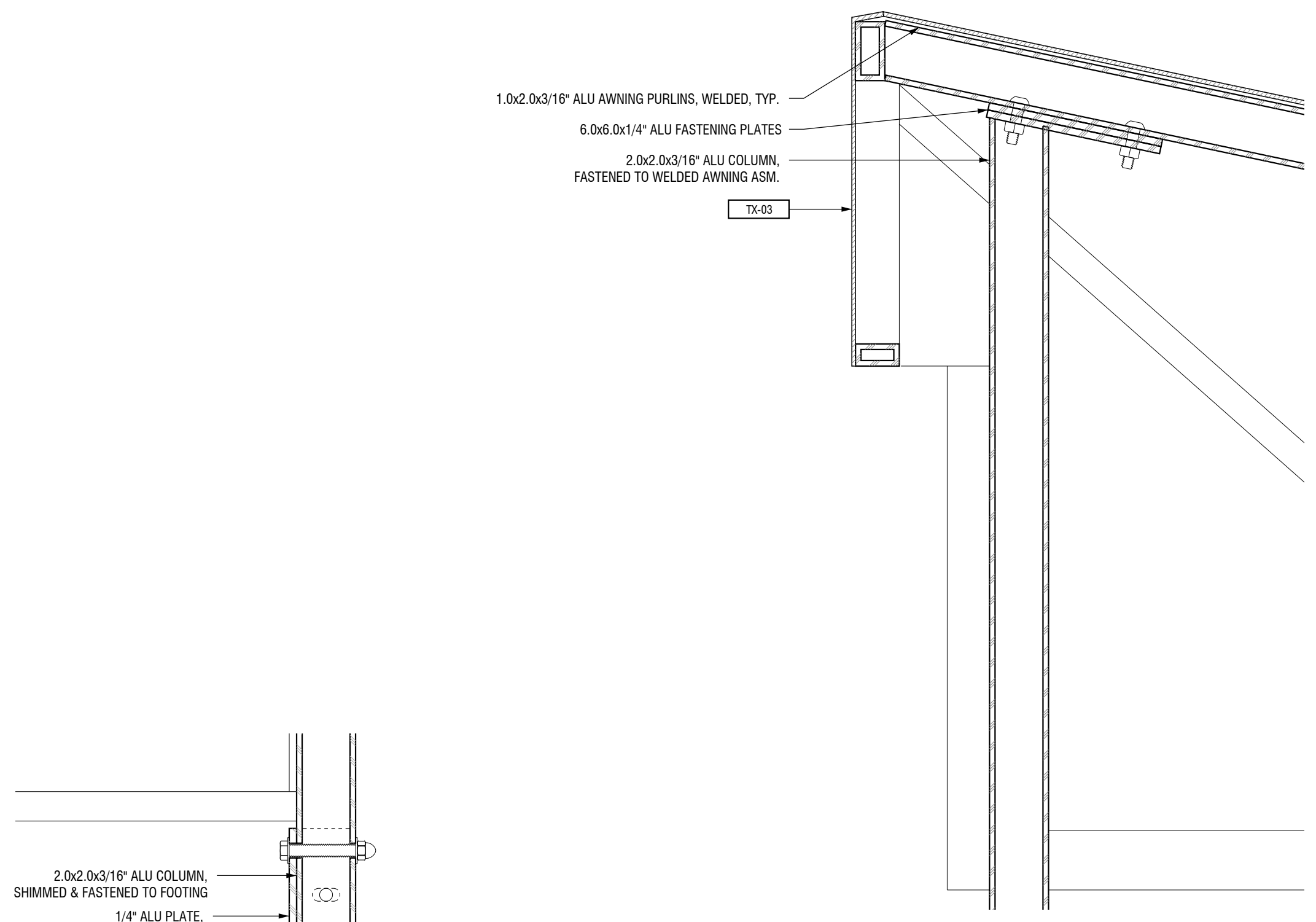
OFFICE  
141 FLUSHING AVE, BLDG 77, SUITE 508  
BROOKLYN, NY 11205  
TEL. 718.237.5795

© 2023 SITU FABRICATION LLC. ALL RIGHTS RESERVED

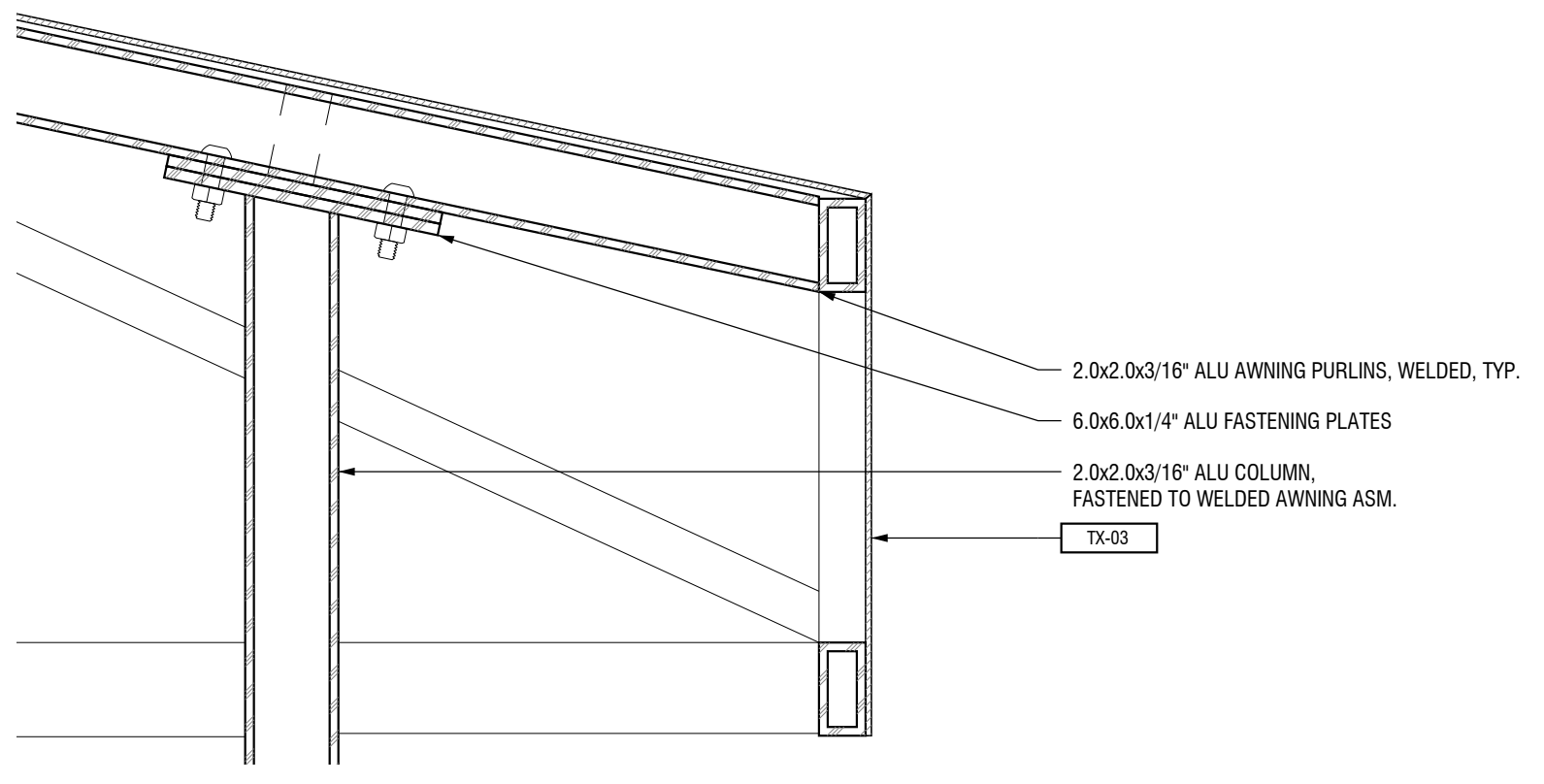
The City has made available for download drawings from the Dining Out NYC Setup Menu Prototype project that were prepared by a registered design professional. These drawings have been made available for informational purposes only. The drawings are provided as-is, and the City of New York disclaims to the greatest extent permitted by law any and all warranties in connection with them.

Each drawing was designed and developed for a specific prototype location and may not be appropriate for other locations. Every location has unique features and site conditions, so make sure that every outdoor dining setup component you choose is appropriate for your sidewalk or roadway cafe.

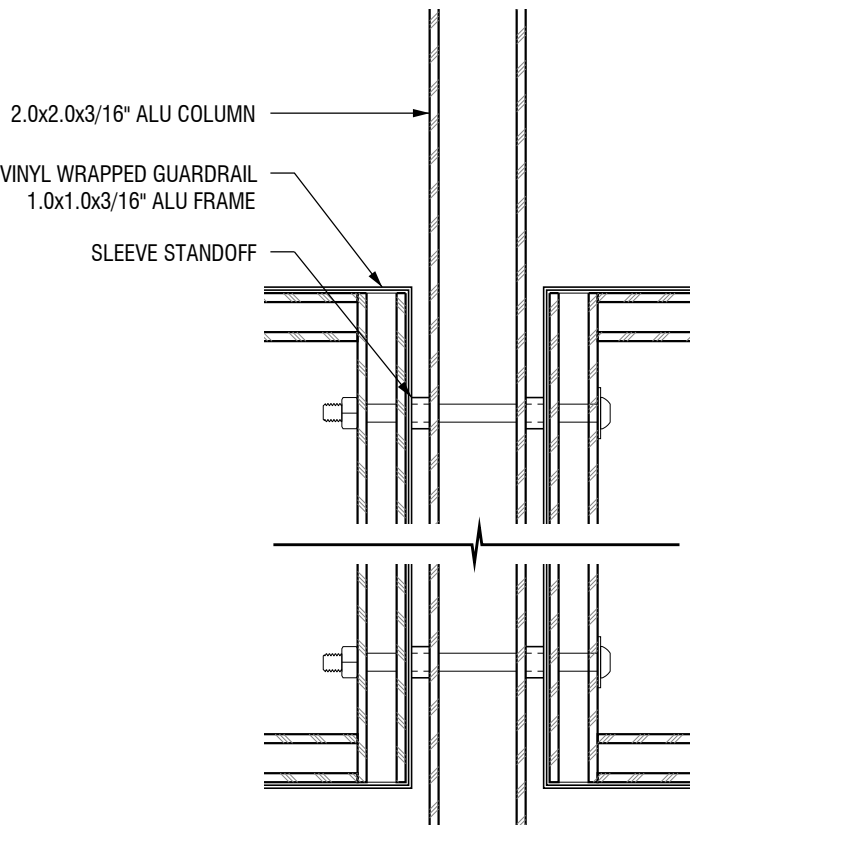
These drawings and all information contained within, both directly and inferred, are for design guidance only and not to be used for construction, fabrication, or installation. SITU Fabrication ("SITU") and WXY Architecture and Urban Design ("WXY") accept no liability for any type of use of these drawings. SITU and WXY have no responsibility for any deficiencies, inaccuracies, errors and/or omissions contained in these drawings. Compliance with ADA and NYC Building Code needs to be reviewed and confirmed by a registered design professional. All systems, hardware, materials, detailing, methods, and connections need to be reviewed and confirmed by a registered structural engineer.



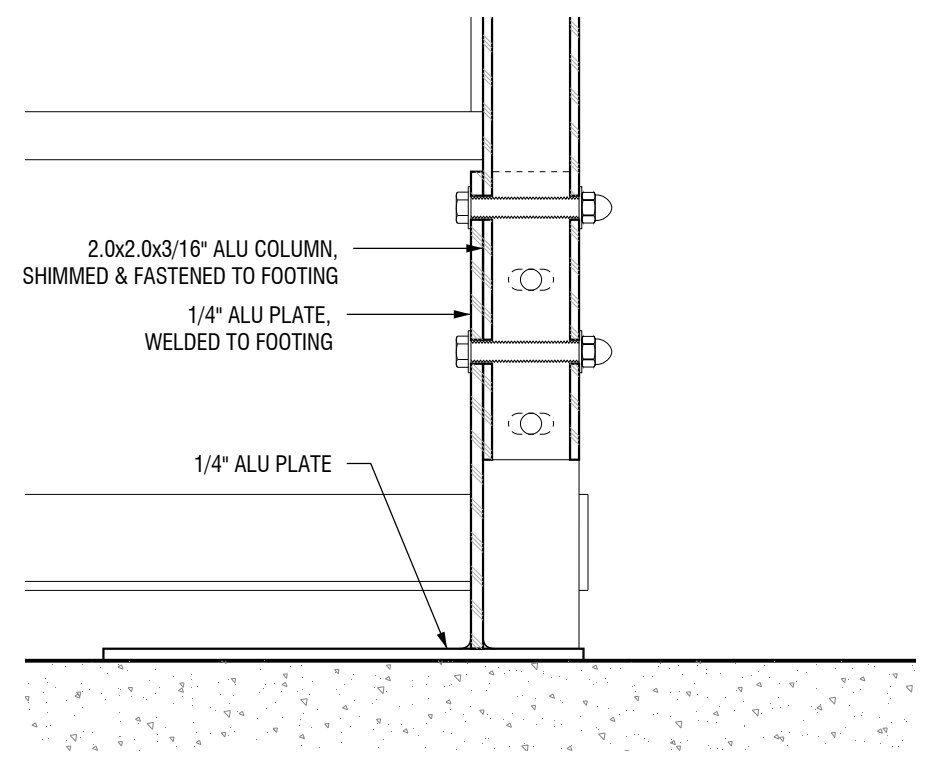
05 AWNING PEAK  
SCALE: 3/4"=1'-0"



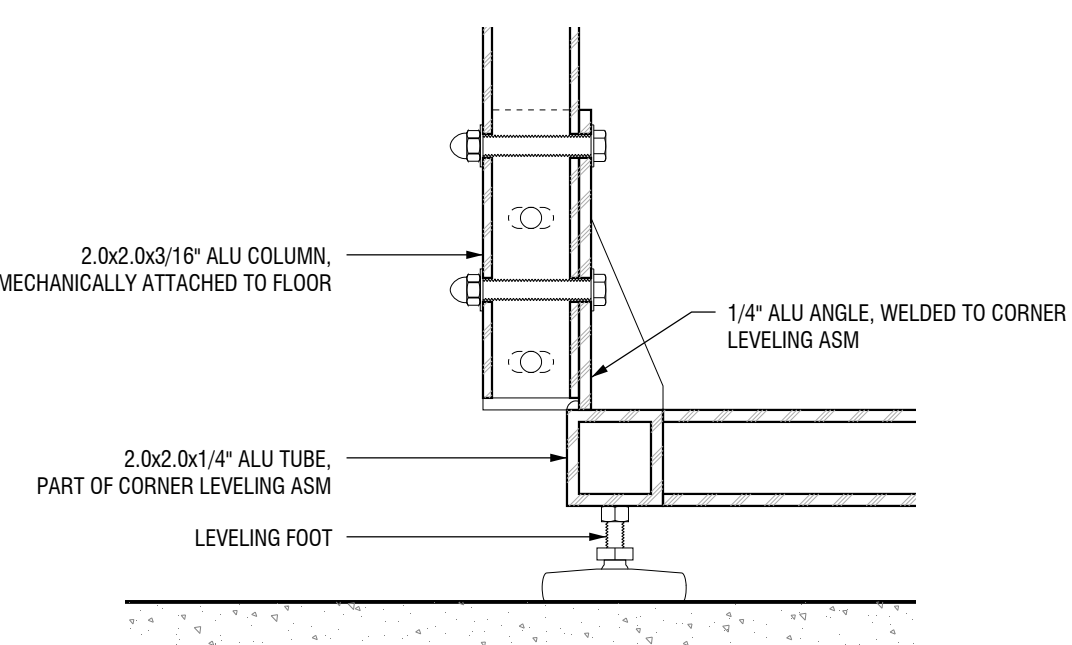
08 AWNING EAVE  
SCALE: 3/4"=1'-0"



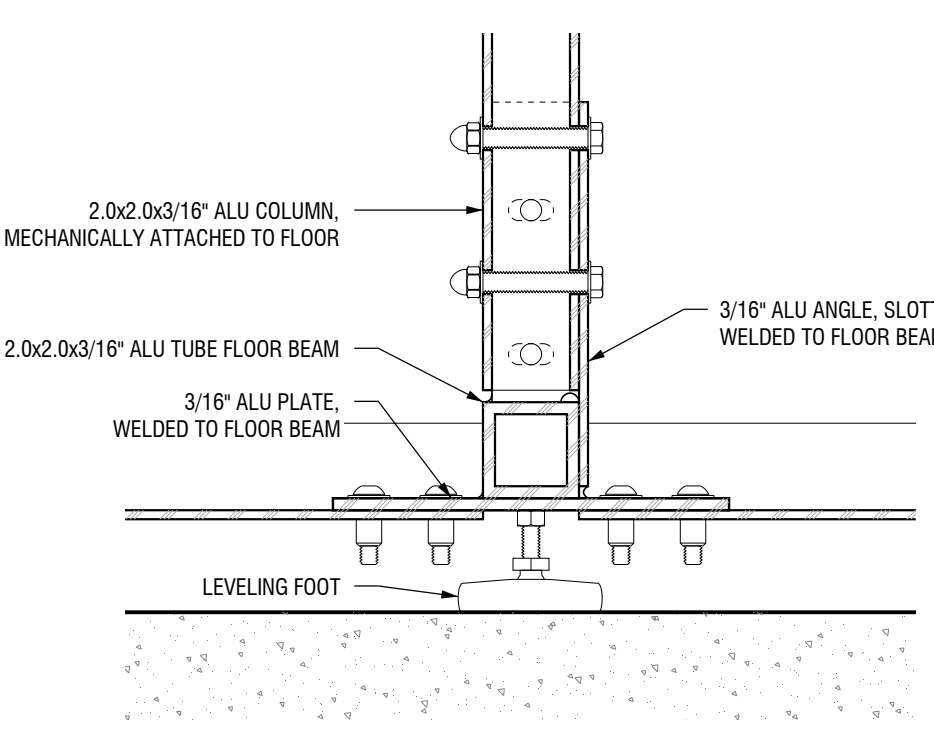
11 DETAIL: GUARDRAIL TO COLUMN CONNECTION  
SCALE: 3/4"=1'-0"



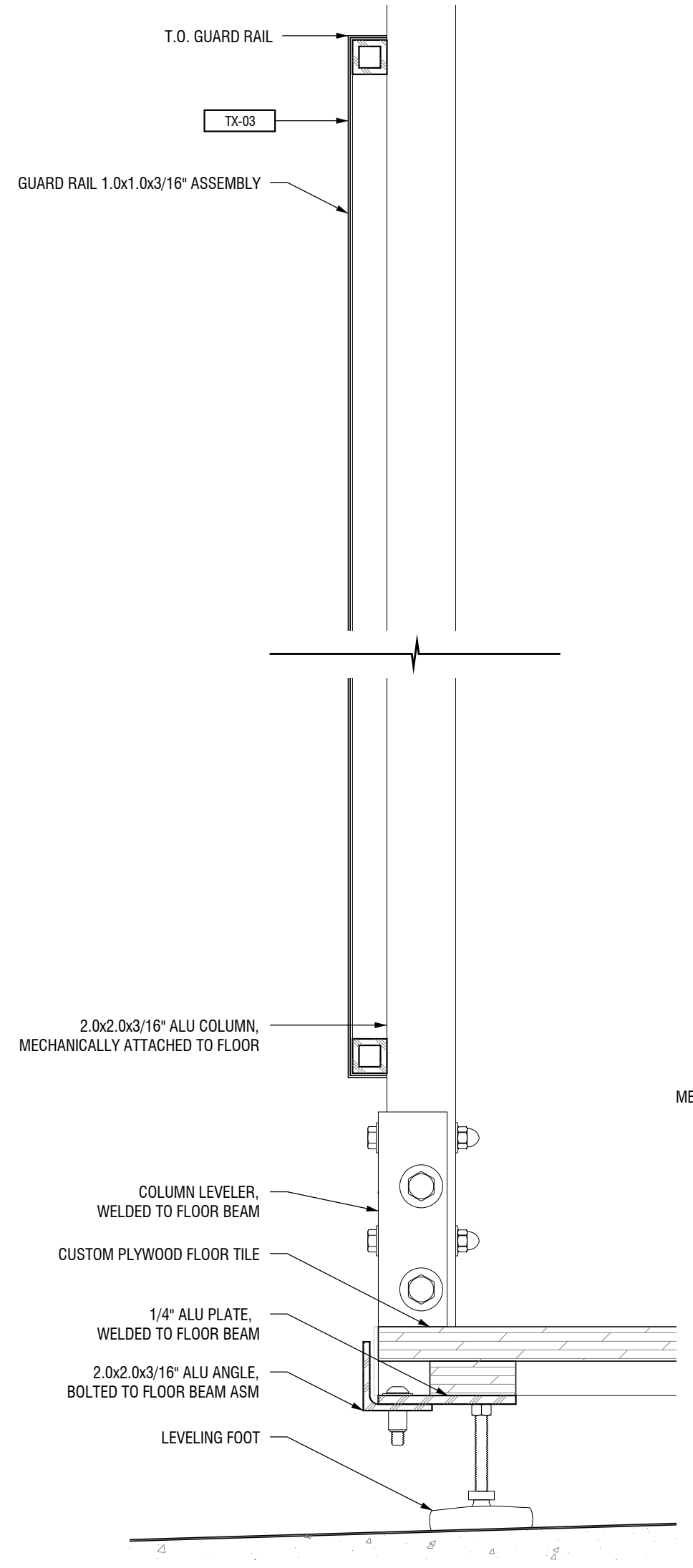
03 DETAIL: COLUMN FOOTING, FREE STANDING  
SCALE: 3/4"=1'-0"



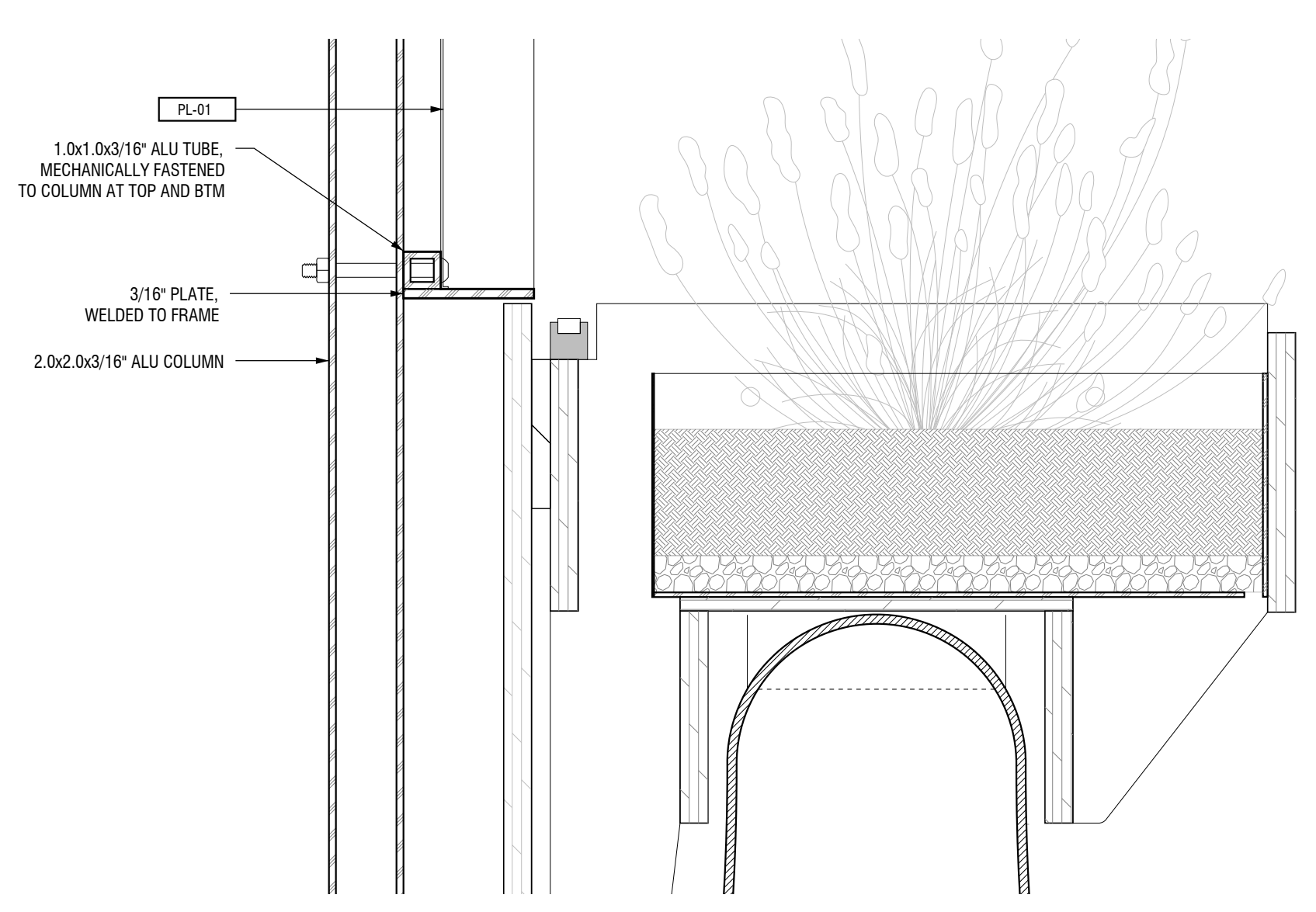
02 DETAIL: COLUMN TO BARRIER SHOE CONNECTION  
SCALE: 3/4"=1'-0"



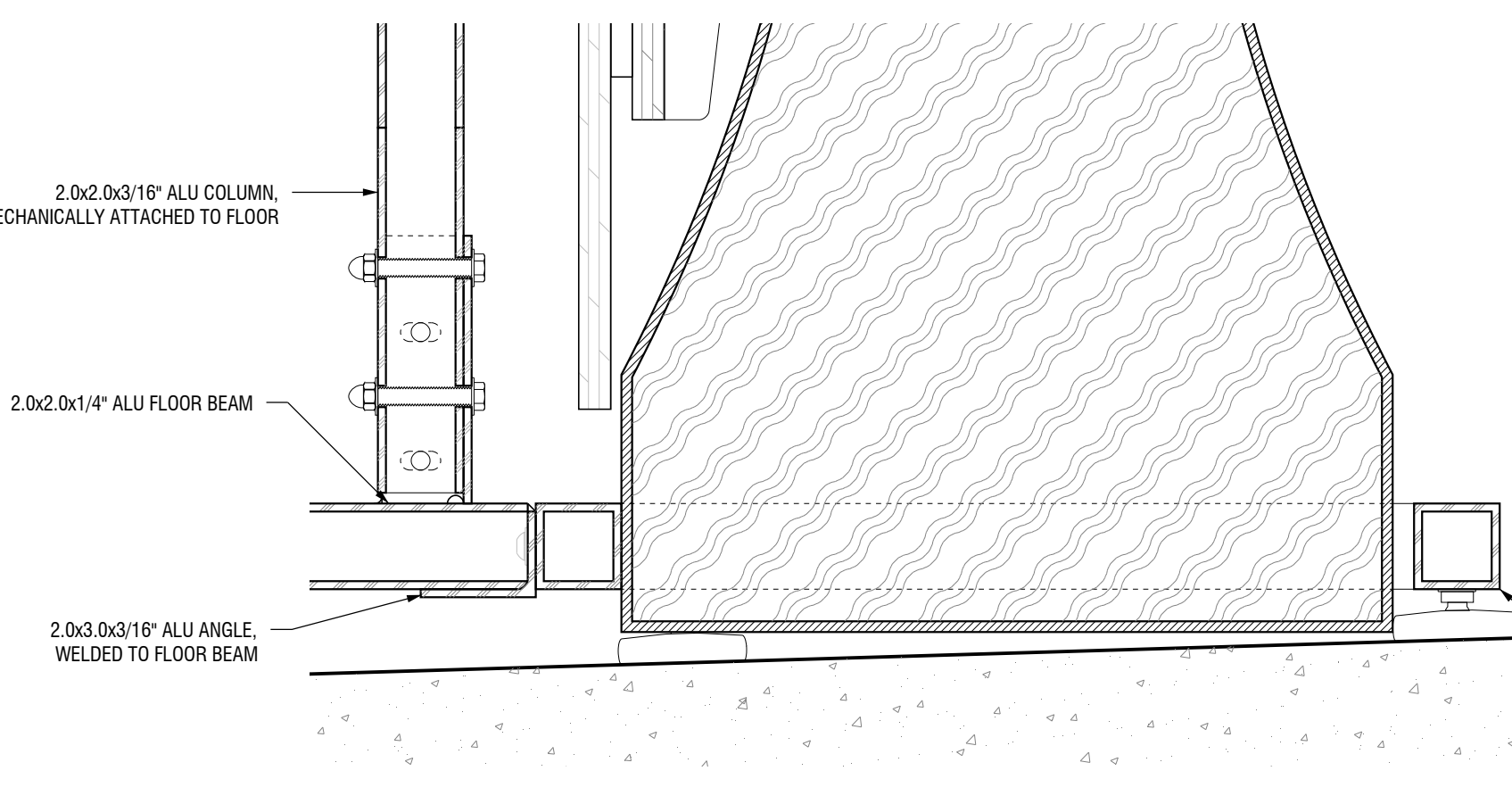
01 DETAIL: COLUMN TO FLOOR BEAM CONNECTION  
SCALE: 3/4"=1'-0"



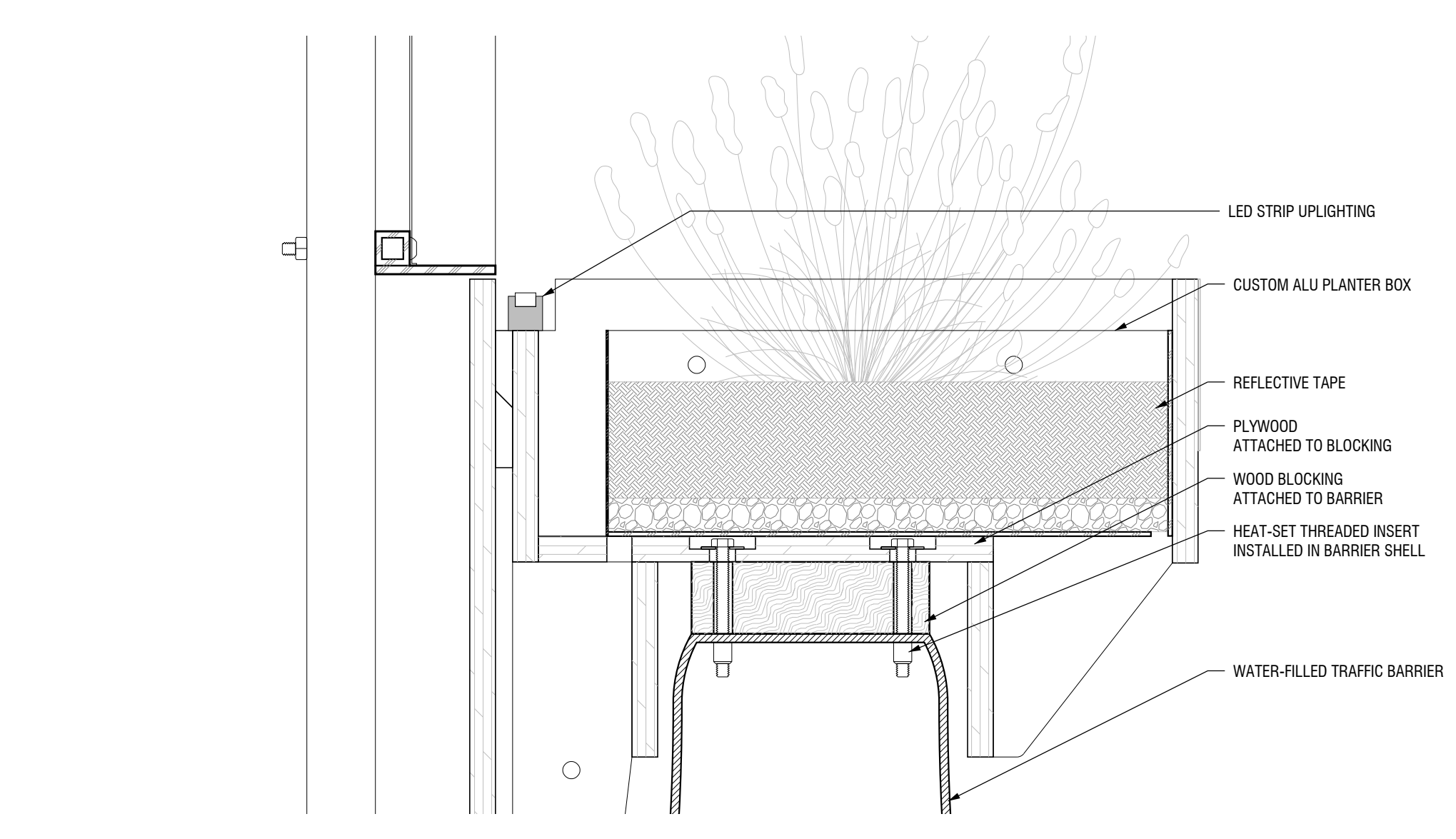
04 DETAIL: END OF FLOOR  
SCALE: 3/4"=1'-0"



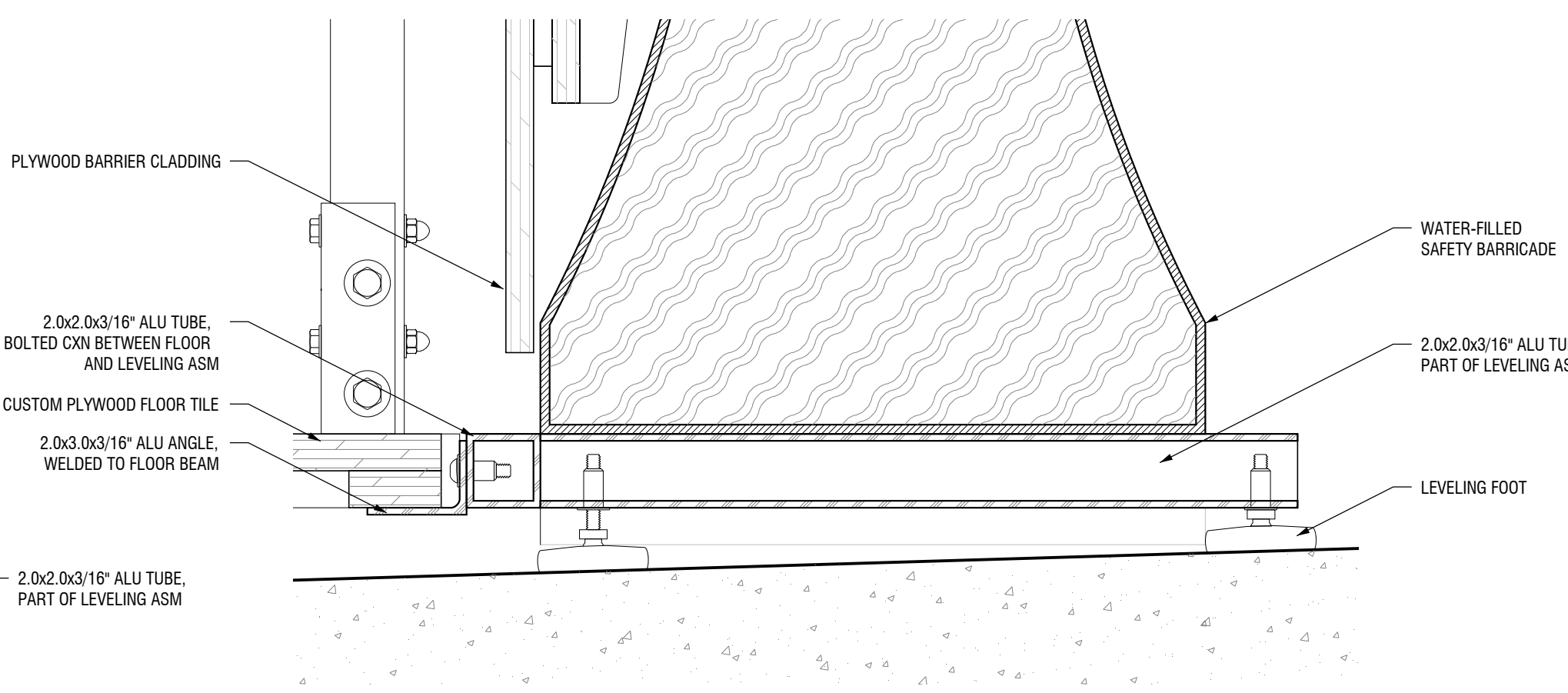
07 DETAIL: SCREEN CONNECTION TO COLUMN  
SCALE: 3/4"=1'-0"



06 DETAIL: BARRIER TO CLADDING CONNECTION  
SCALE: 3/4"=1'-0"



10 DETAIL: BARRIER TO CLADDING CONNECTION  
SCALE: 3/4"=1'-0"



09 DETAIL: BARRIER TO FLOOR CXN  
SCALE: 3/4"=1'-0"

FINISH LIST	
ITEM	DESCRIPTION
MA-01	ALUMINUM, ORBITAL SAND FINISH
TX-03	BLUE WEATHERPROOF TEXTILE
TX-04	TRANSPARENT VINYL
WD-02	CLEAR COATED PLYWOOD

ISSUES AND REVISIONS		
#	DESCRIPTION	DATE
1	ISSUE FOR APPROVAL	00/00/00

DESIGNER: WXY ARCHITECTURE + URBAN DESIGN 25 PARK PL. NEW YORK, NY 10007	SITU FABRICATION 141 FLUSHING AVE. BLDG 77 SUITE 508, BROOKLYN, NY 11205
--	---

OWNER: BODRUM 384 AMSTERDAM AVE NEW YORK, NY 10024
---

COMMISSIONED BY: NYC DEPARTMENT OF TRANSPORTATION 55 WATER STREET NEW YORK, NY 10041
---

**DINING OUT NYC: SETUP MENU**  
FLOATING PARKING LANE SHOP DRAWINGS

DETAILS	
DRAWN BY	CHECKED BY
MM	DJ
JOB #	DATE
[10266]	3/6/2024

DRAWING #  
**SF-301**

FOR INFORMATIONAL PURPOSES ONLY

**SITU**/Fabrication

SHOP  
63 FLUSHING AVE, BLDG 132  
BROOKLYN, NY 11205  
TEL. 718.855.2170  
www.situ.nyc/fabrication

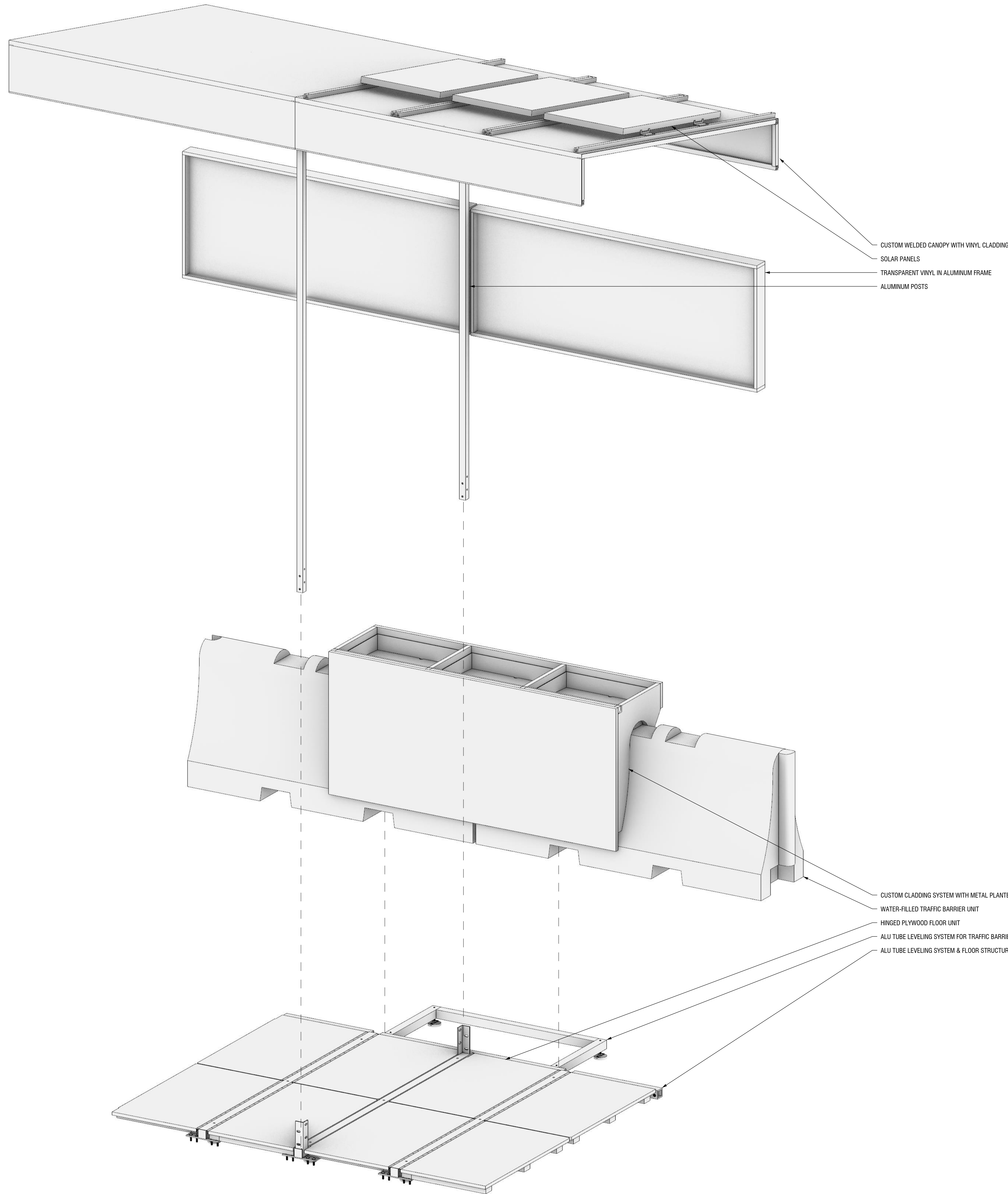
OFFICE  
141 FLUSHING AVE, BLDG 77, SUITE 508  
BROOKLYN, NY 11205  
TEL. 718.237.5795

© 2023 SITU FABRICATION LLC. ALL RIGHTS RESERVED

The City has made available for download drawings from the Dining Out NYC Setup Menu Prototype project that were prepared by a registered design professional. These drawings have been made available for informational purposes only. The drawings are provided as-is, and the City of New York disclaims to the greatest extent permitted by law any and all warranties in connection with them.

Each drawing was designed and developed for a specific prototype location and may not be appropriate for other locations. Every location has unique features and site conditions, so make sure that every outdoor dining setup component you choose is appropriate for your sidewalk or roadway cafe.

These drawings and all information contained within, both directly and inferred, are for design guidance only and not to be used for construction, fabrication, or installation. SITU Fabrication ("SITU") and WXY Architecture and Urban Design ("WXY") accept no liability for any type of use of these drawings. SITU and WXY have no responsibility for any deficiencies, inaccuracies, errors and/or omissions contained in these drawings. Compliance with ADA and NYC Building Code needs to be reviewed and confirmed by a registered design professional. All systems, hardware, materials, detailing, methods, and connections need to be reviewed and confirmed by a registered structural engineer.



FINISH LIST

ITEM	DESCRIPTION
M-01	ALUMINUM, ORBITAL SAND FINISH
TX-03	BLUE WEATHERPROOF TEXTILE
TX-04	TRANSPARENT VINYL
WD-02	CLEAR COATED PLYWOOD

ISSUES AND REVISIONS

#	DESCRIPTION	DATE
1	ISSUE FOR APPROVAL	00/00/00

DESIGNERS  
WXY ARCHITECTURE + URBAN DESIGN  
25 PARK PL.  
NEW YORK, NY 10007

SITU FABRICATION  
141 FLUSHING AVE.  
BLDG 77 SUITE 508,  
BROOKLYN, NY 11205

OWNER  
BODRUM  
384 AMSTERDAM AVE  
NEW YORK, NY 10024

COMMISSIONED BY  
NYC DEPARTMENT OF TRANSPORTATION  
25 WATER STREET  
NEW YORK, NY 10041

DINING OUT NYC: SETUP MENU  
FLOATING PARKING LANE SHOP DRAWINGS

AXON OVERALL ASSEMBLY

DRAWN BY MM CHECKED BY DJ  
JOB # [10266] DATE 3/6/2024

DRAWING # SF-401



SHOP  
63 FLUSHING AVE, BLDG 132  
BROOKLYN, NY 11205  
TEL. 718.855.2170  
www.situ.nyc/fabrication

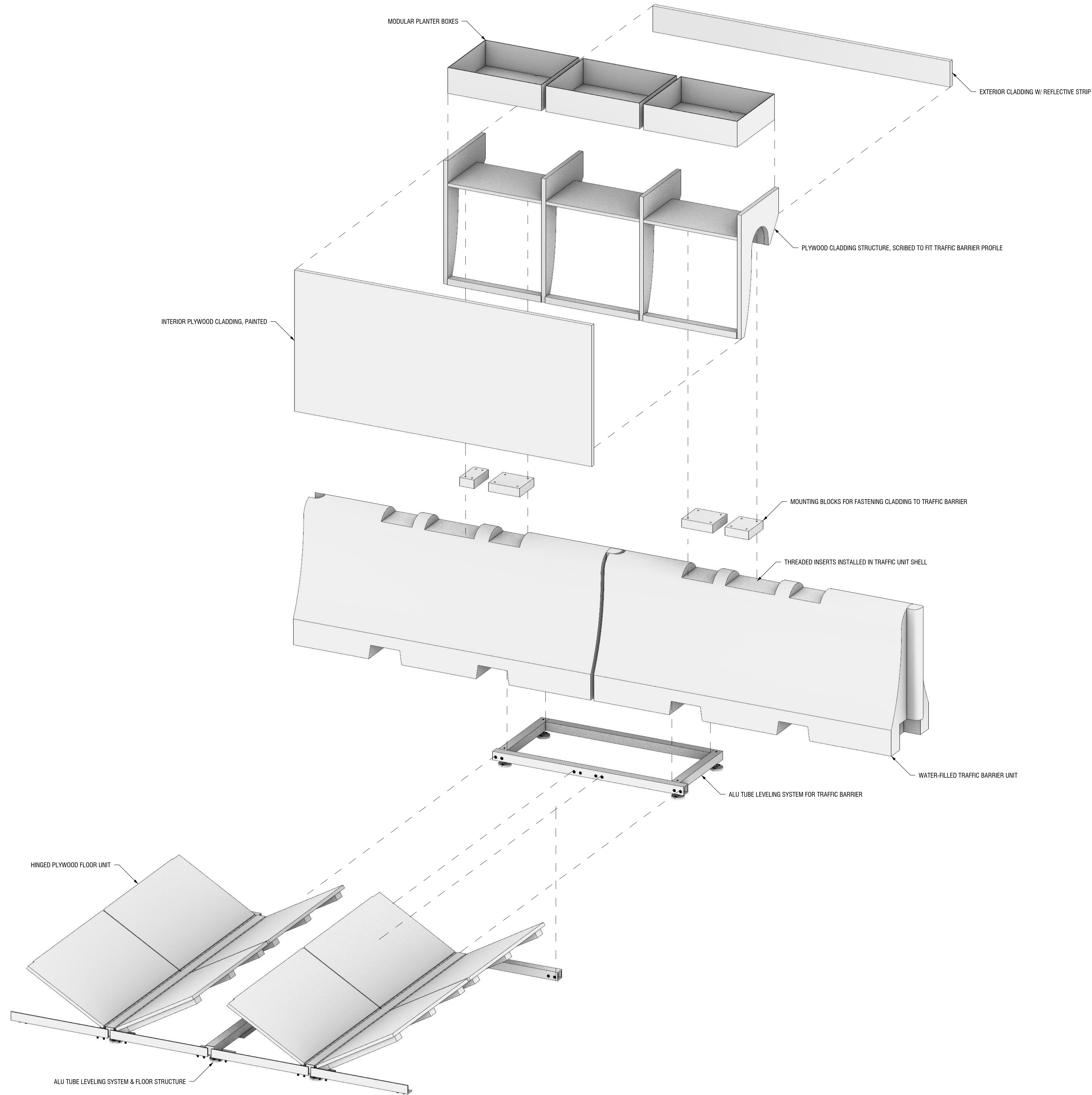
OFFICE  
141 FLUSHING AVE, BLDG 77, SUITE 508  
BROOKLYN, NY 11205  
TEL. 718.237.5795

© 2023 SITU FABRICATION LLC. ALL RIGHTS RESERVED

The City has made available for download drawings from the Dining Out NYC Setup Menu Prototype project that were prepared by a registered design professional. These drawings have been made available for informational purposes only. The drawings are provided as-is, and the City of New York disclaims to the greatest extent permitted by law any and all warranties in connection with them.

Each drawing was designed and developed for a specific prototype location and may not be appropriate for other locations. Every location has unique features and site conditions, so make sure that every outdoor dining setup component you choose is appropriate for your sidewalk or roadway cafe.

These drawings and all information contained within, both directly and inferred, are for design guidance only and not to be used for construction, fabrication, or installation. SITU Fabrication ("SITU") and WXY Architecture and Urban Design ("WXY") accept no liability for any type of use of these drawings. SITU and WXY have no responsibility for any deficiencies, inaccuracies, errors and/or omissions contained in these drawings. Compliance with ADA and NYC Building Code needs to be reviewed and confirmed by a registered design professional. All systems, hardware, materials, detailing, methods, and connections need to be reviewed and confirmed by a registered structural engineer.



FINISH LIST	
ITEM	DESCRIPTION
M-01	ALUMINUM, ORBITAL SAND FINISH
TX-03	BLUE WEATHERPROOF TEXTILE
TX-04	TRANSPARENT VINYL
WD-02	CLEAR COATED PLYWOOD

ISSUES AND REVISIONS		
#	DESCRIPTION	DATE
1	ISSUE FOR APPROVAL	00/00/00

DESIGNERS  
WXY ARCHITECTURE + URBAN DESIGN  
25 PARK PL.  
NEW YORK, NY 10007

SITU FABRICATION  
141 FLUSHING AVE.  
BLDG 77 SUITE 508,  
BROOKLYN, NY 11205

OWNER  
BODRUM  
384 AMSTERDAM AVE  
NEW YORK, NY 10024

COMMISSIONED BY  
NYC DEPARTMENT OF TRANSPORTATION  
25 WATER STREET  
NEW YORK, NY 10041

**DINING OUT NYC: SETUP MENU**  
FLOATING PARKING LANE SHOP DRAWINGS

**AXON BARRIER, FLOOR ASSEMBLY**

DRAWN BY: MM      CHECKED BY: DJ  
JOB #: [10266]      DATE: 3/6/2024

DRAWING #  
**SF-402**

SHOP  
63 FLUSHING AVE, BLDG 132  
BROOKLYN, NY 11205  
TEL. 718.855.2170  
www.situ.nyc/fabrication

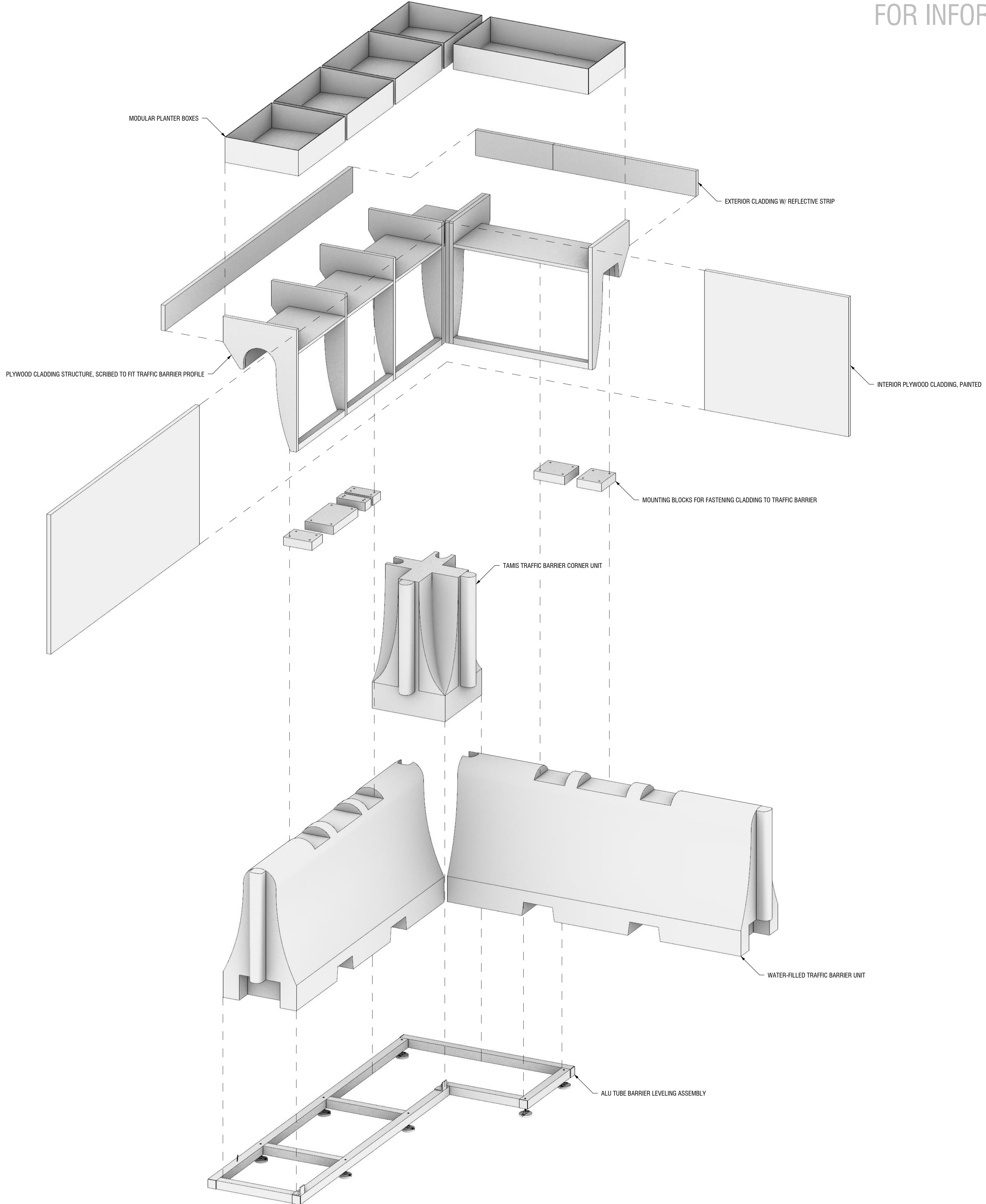
OFFICE  
141 FLUSHING AVE, BLDG 77, SUITE 508  
BROOKLYN, NY 11205  
TEL. 718.237.5795

© 2023 SITU FABRICATION LLC. ALL RIGHTS RESERVED

The City has made available for download drawings from the Dining Out NYC Setup Menu Prototype project that were prepared by a registered design professional. These drawings have been made available for informational purposes only. The drawings are provided as-is, and the City of New York disclaims to the greatest extent permitted by law any and all warranties in connection with them.

Each drawing was designed and developed for a specific prototype location and may not be appropriate for other locations. Every location has unique features and site conditions, so make sure that every outdoor dining setup component you choose is appropriate for your sidewalk or roadway cafe.

These drawings and all information contained within, both directly and inferred, are for design guidance only and not to be used for construction, fabrication, or installation. SITU Fabrication ("SITU") and WXY Architecture and Urban Design ("WXY") accept no liability for any type of use of these drawings. SITU and WXY have no responsibility for any deficiencies, inaccuracies, errors and/or omissions contained in these drawings. Compliance with ADA and NYC Building Code needs to be reviewed and confirmed by a registered design professional. All systems, hardware, materials, detailing, methods, and connections need to be reviewed and confirmed by a registered structural engineer.



FINISH LIST	
ITEM	DESCRIPTION
M-01	ALUMINUM, ORBITAL SAND FINISH
TX-03	BLUE WEATHERPROOF TEXTILE
TX-04	TRANSPARENT VINYL
WD-02	CLEAR COATED PLYWOOD

ISSUES AND REVISIONS		
#	DESCRIPTION	DATE
1	ISSUE FOR APPROVAL	00/00/00

DESIGNERS  
WXY ARCHITECTURE + URBAN DESIGN  
25 PARK PL.  
NEW YORK, NY 10007

SITU FABRICATION  
141 FLUSHING AVE,  
BLDG 77 SUITE 508,  
BROOKLYN, NY 11205

OWNER  
BODRUM  
384 AMSTERDAM AVE  
NEW YORK, NY 10024

COMMISSIONED BY  
NYC DEPARTMENT OF TRANSPORTATION  
25 WATER STREET  
NEW YORK, NY 10041

**DINING OUT NYC: SETUP MENU**  
FLOATING PARKING LANE SHOP DRAWINGS

**AXON CORNER BARRIER ASSEMBLY**

DRAWN BY	MM	CHECKED BY	DJ
JOB #	[10266]	DATE	3/6/2024

DRAWING # **SF-403**