

SHOP
 63 FLUSHING AVE, BLDG 132
 BROOKLYN, NY 11205
 TEL. 718.855.2170
 www.situ.nyc/fabrication

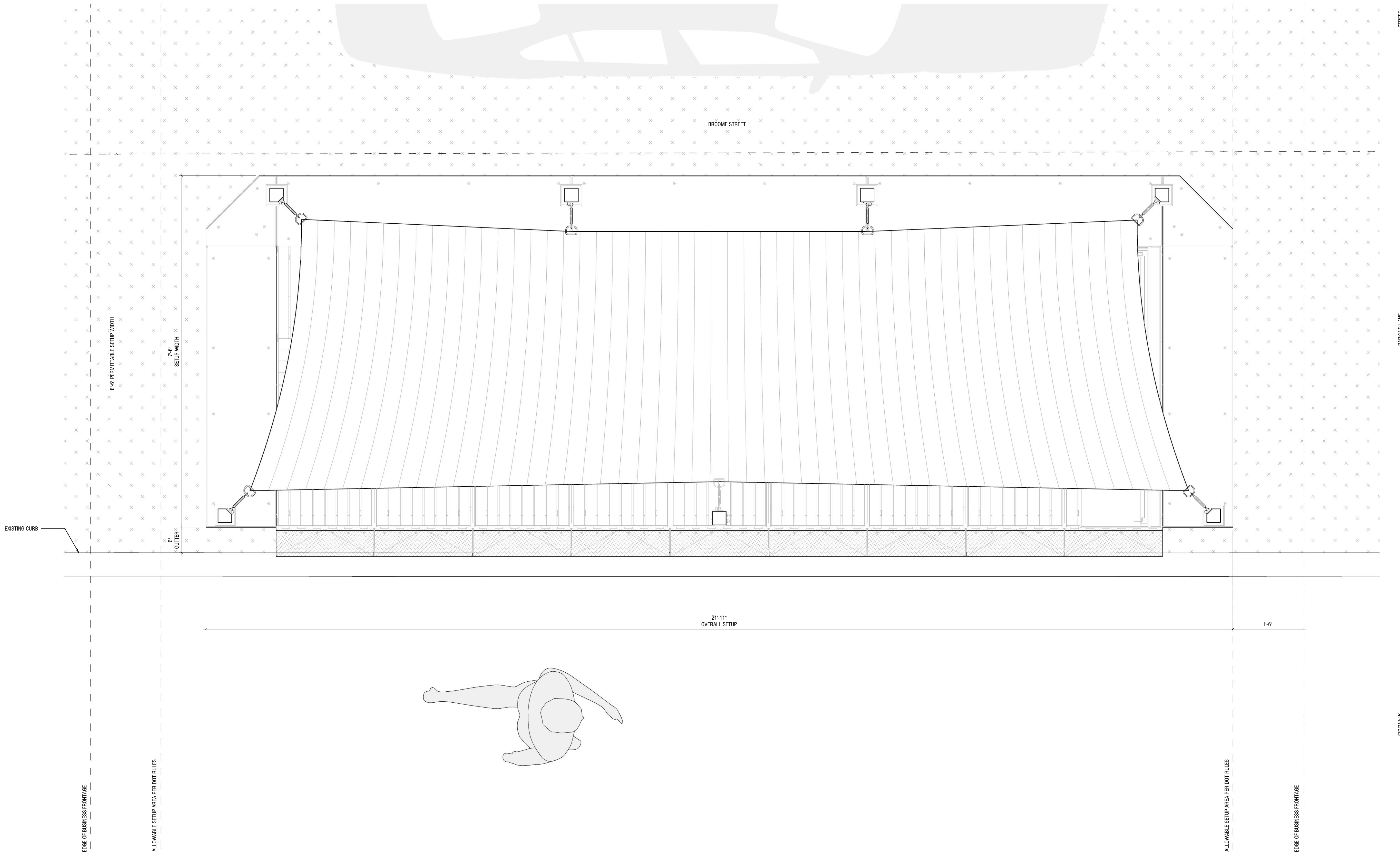
OFFICE
 141 FLUSHING AVE, BLDG 77, SUITE 508
 BROOKLYN, NY 11205
 TEL. 718.237.5795

© 2022 SITU FABRICATION LLC. ALL RIGHTS RESERVED

The City has made available for download drawings from the Dining Out NYC Setup Menu Prototype project that were prepared by a registered design professional. These drawings have been made available for informational purposes only. The drawings are provided as-is, and the City of New York disclaims to the greatest extent permitted by law any and all warranties in connection with them.

Each drawing was designed and developed for a specific prototype location and may not be appropriate for other locations. Every location has unique features and site conditions, so make sure that every outdoor dining setup component you choose is appropriate for your sidewalk or roadway cafe.

These drawings and all information contained within, both directly and inferred, are for design guidance only and not to be used for construction, fabrication, or installation. SITU Fabrication ("SITU") and WXY Architecture and Urban Design ("WXY") accept no liability for any type of use of these drawings. SITU and WXY have no responsibility for any deficiencies, inaccuracies, errors and/or omissions contained in these drawings. Compliance with ADA and NYC Building Code needs to be reviewed and confirmed by a registered design professional. All systems, hardware, materials, detailing, methods, and connections need to be reviewed and confirmed by a registered structural engineer.



01 SITE PLAN
 SCALE: 1"=1'-0"

FINISH LIST	
ITEM	DESCRIPTION
PT-01	PAINT - RED
PT-05	PAINT - BEIGE
PT-06	PAINT - BROWN
TX-01	FABRIC
DD-01	BLACK LOCUST ROBI DECKING TILE

ISSUES AND REVISIONS		
#	DESCRIPTION	DATE
1	ISSUE FOR APPROVAL	08/22/23

DESIGNERS
 WXY ARCHITECTURE + URBAN DESIGN
 25 PARK PL.
 NEW YORK, NY 10007

SITU FABRICATION
 141 FLUSHING AVE.
 BLDG 77 SUITE 508,
 BROOKLYN, NY 11205

OWNER
 SUNDAY TO SUNDAY
 88 ORCHARD ST.
 NEW YORK, NY 10002

COMMISSIONED BY
 NYC DEPARTMENT OF TRANSPORTATION
 55 WATER STREET
 NEW YORK, NY 10041

DINING OUT NYC: SETUP MENU
 CORNER SHOP DRAWINGS

SITE PLAN	
DRAWN BY	CHECKED BY
MM	DJ
JOB #	DATE
[10266]	3/5/2024
DRAWING #	
SF-102	

FOR INFORMATIONAL PURPOSES ONLY

SITU/Fabrication

SHOP
63 FLUSHING AVE, BLDG 132
BROOKLYN, NY 11205
TEL. 718.855.2170
www.situ.nyc/fabrication

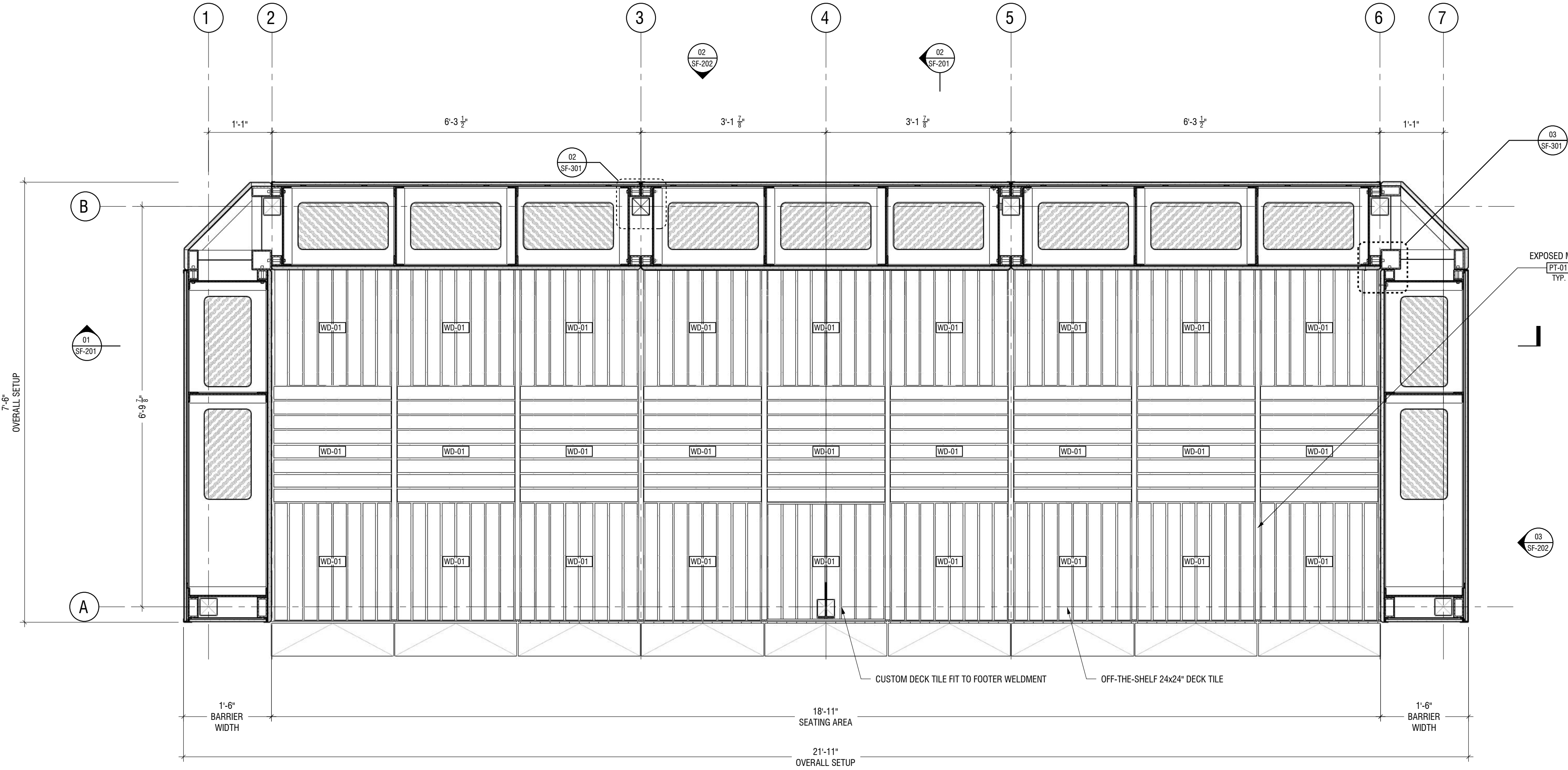
OFFICE
141 FLUSHING AVE, BLDG 77, SUITE 508
BROOKLYN, NY 11205
TEL. 718.237.5795

© 2022 SITU FABRICATION LLC. ALL RIGHTS RESERVED

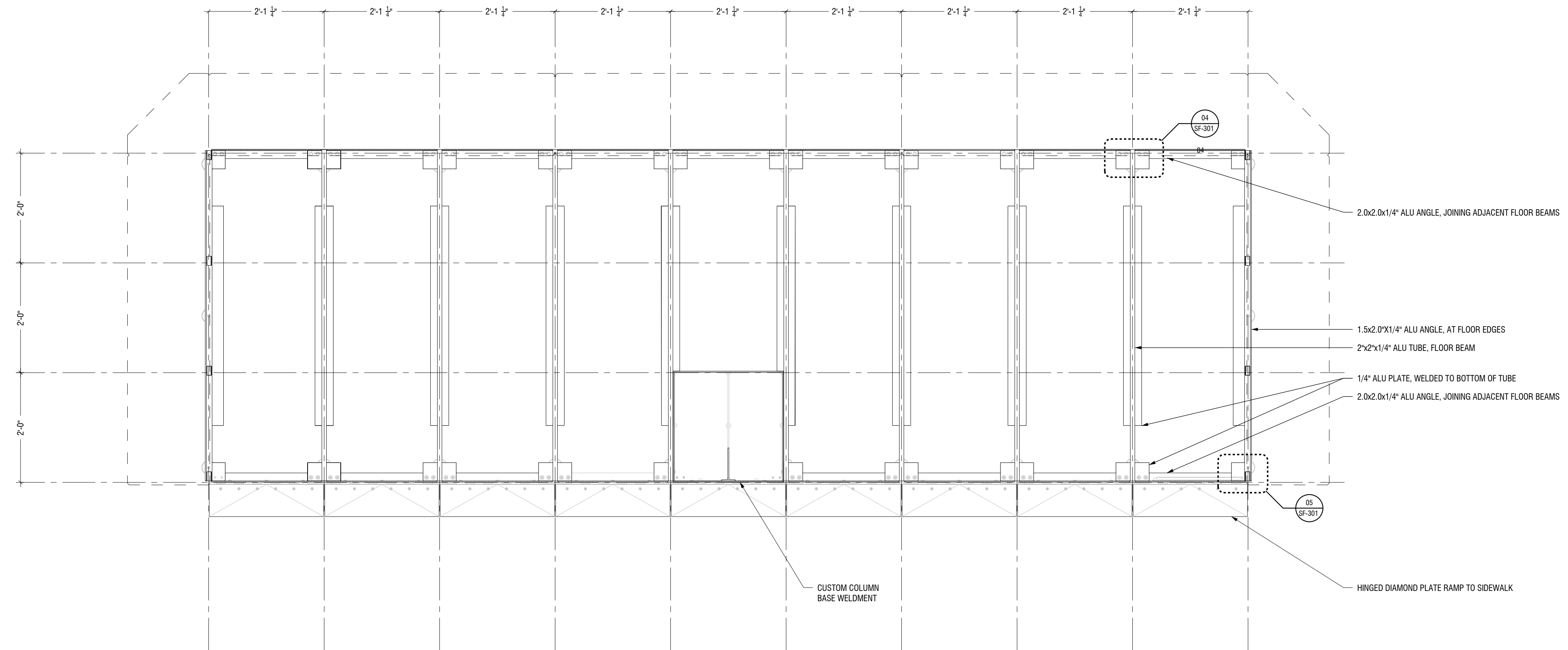
The City has made available for download drawings from the Dining Out NYC Setup Menu Prototype project that were prepared by a registered design professional. These drawings have been made available for informational purposes only. The drawings are provided as-is, and the City of New York disclaims to the greatest extent permitted by law any and all warranties in connection with them.

Each drawing was designed and developed for a specific prototype location and may not be appropriate for other locations. Every location has unique features and site conditions, so make sure that every outdoor dining setup component you choose is appropriate for your sidewalk or roadway cafe.

These drawings and all information contained within, both directly and inferred, are for design guidance only and not to be used for construction, fabrication, or installation. SITU Fabrication ("SITU") and WXY Architecture and Urban Design ("WXY") accept no liability for any type of use of these drawings. SITU and WXY have no responsibility for any deficiencies, inaccuracies, errors and/or omissions contained in these drawings. Compliance with ADA and NYC Building Code needs to be reviewed and confirmed by a registered design professional. All systems, hardware, materials, detailing, methods, and connections need to be reviewed and confirmed by a registered structural engineer.



01 FINISH FLOOR PLAN
SCALE: 3/4"=1'-0"



02 SUBFLOOR PLAN
SCALE: 3/4"=1'-0"

FINISH LIST	
ITEM	DESCRIPTION
PT-01	PAINT - RED
PT-05	PAINT - BEIGE
PT-06	PAINT - BROWN
TX-01	FABRIC
WD-01	BLACK LOCUST ROBI DECKING TILE

ISSUES AND REVISIONS		
#	DESCRIPTION	DATE
1	ISSUE FOR APPROVAL	08/22/23

DESIGNERS
WXY ARCHITECTURE + URBAN DESIGN
25 PARK PL.
NEW YORK, NY 10007

SITU FABRICATION
141 FLUSHING AVE.
BLDG 77 SUITE 508,
BROOKLYN, NY 11205

OWNER
SUNDAY TO SUNDAY
88 ORCHARD ST.
NEW YORK, NY 10002

COMMISSIONED BY
NYC DEPARTMENT OF TRANSPORTATION
35 WATER STREET
NEW YORK, NY 10041

DINING OUT NYC: SETUP MENU
CORNER SHOP DRAWINGS

PLANS			
DRAWN BY	MM	CHECKED BY	DJ
JOB #	[10266]	DATE	3/5/2024

DRAWING #
SF-103

FOR INFORMATIONAL PURPOSES ONLY

SITU/Fabrication

SHOP
63 FLUSHING AVE, BLDG 132
BROOKLYN, NY 11205
TEL. 718.855.2170
www.situ.nyc/fabrication

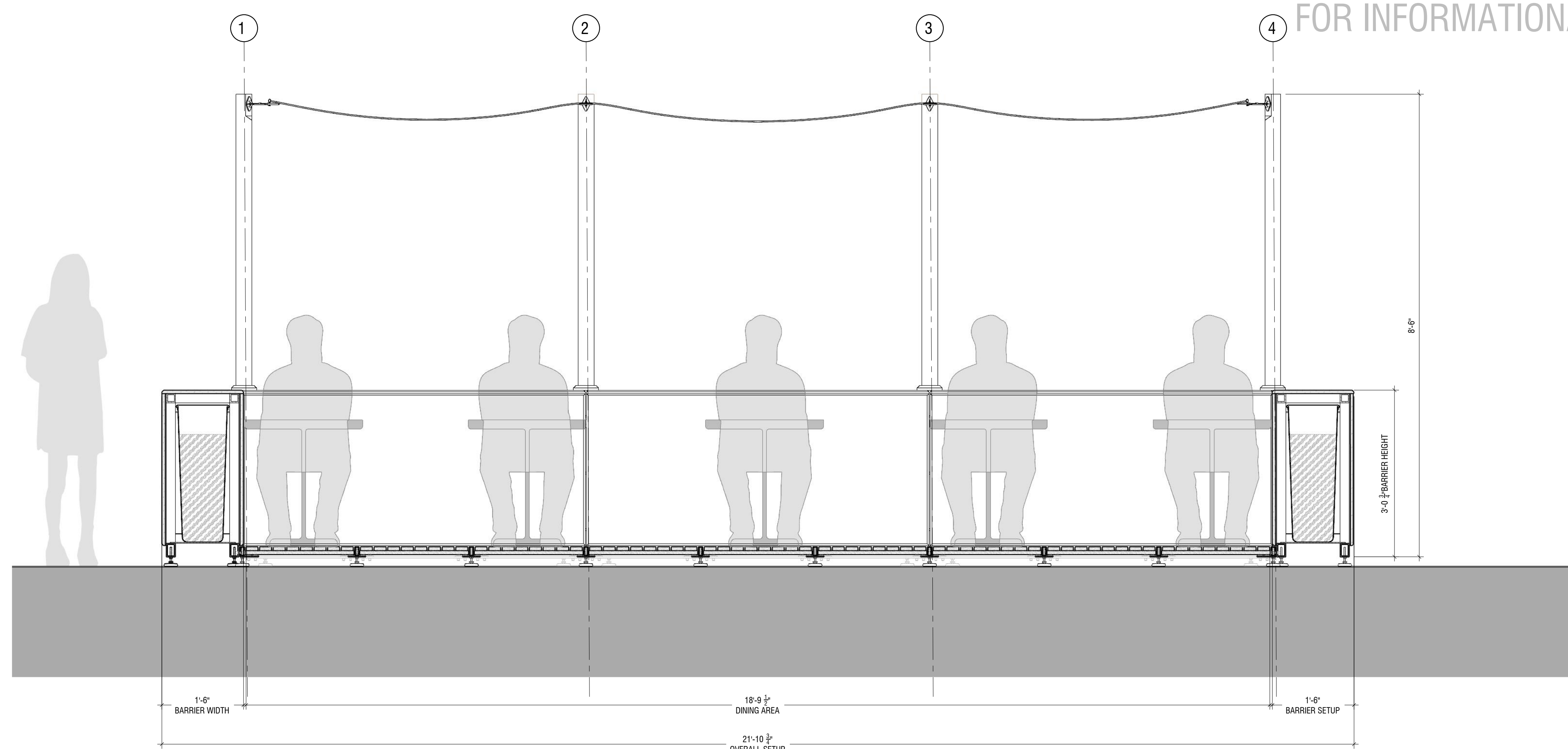
OFFICE
141 FLUSHING AVE, BLDG 77, SUITE 508
BROOKLYN, NY 11205
TEL. 718.237.5795

© 2022 SITU FABRICATION LLC. ALL RIGHTS RESERVED

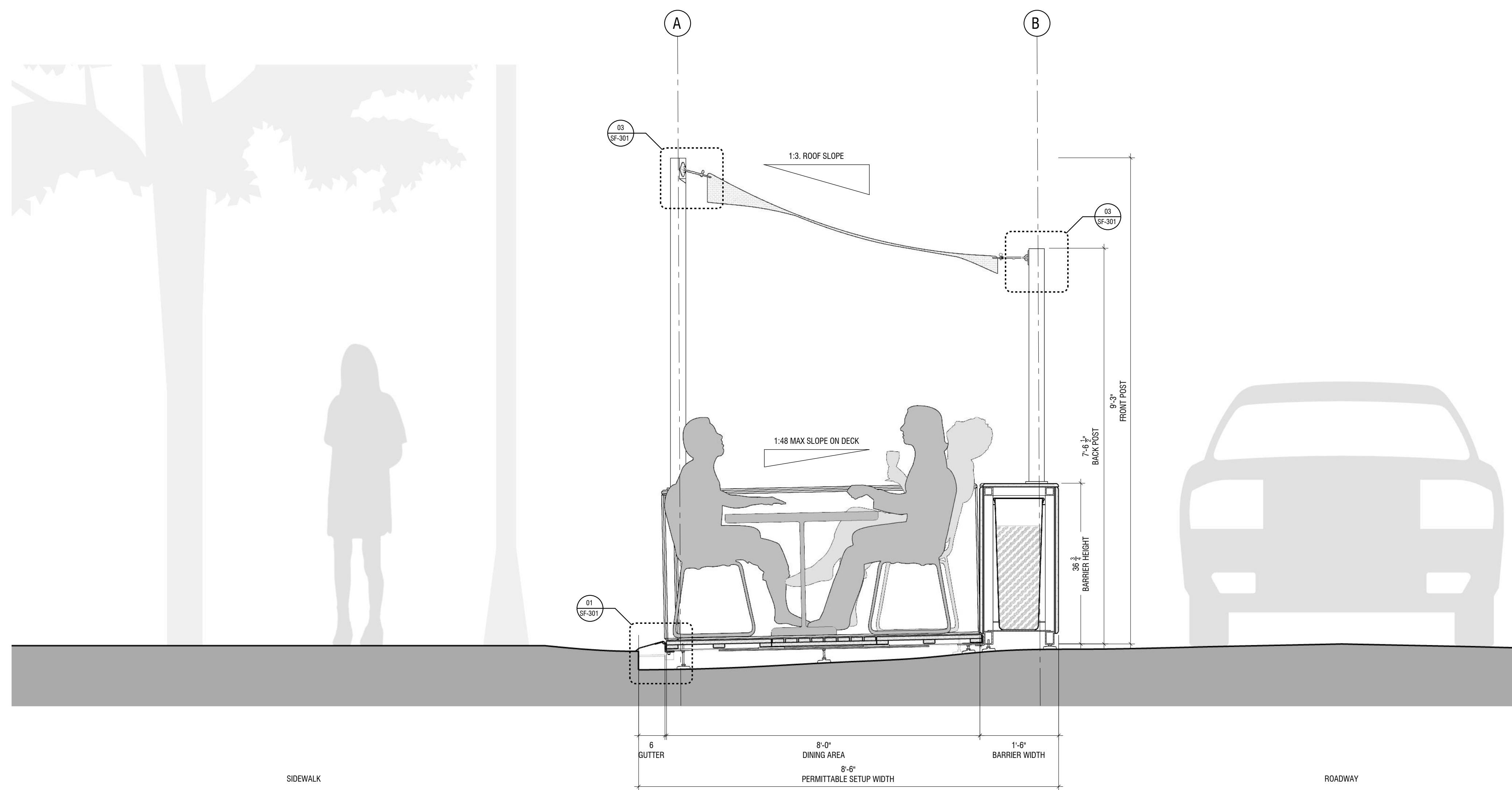
The City has made available for download drawings from the Dining Out NYC Setup Menu Prototype project that were prepared by a registered design professional. These drawings have been made available for informational purposes only. The drawings are provided as-is, and the City of New York disclaims to the greatest extent permitted by law any and all warranties in connection with them.

Each drawing was designed and developed for a specific prototype location and may not be appropriate for other locations. Every location has unique features and site conditions, so make sure that every outdoor dining setup component you choose is appropriate for your sidewalk or roadway cafe.

These drawings and all information contained within, both directly and inferred, are for design guidance only and not to be used for construction, fabrication, or installation. SITU Fabrication ("SITU") and WXY Architecture and Urban Design ("WXY") accept no liability for any type of use of these drawings. SITU and WXY have no responsibility for any deficiencies, inaccuracies, errors and/or omissions contained in these drawings. Compliance with ADA and NYC Building Code needs to be reviewed and confirmed by a registered design professional. All systems, hardware, materials, detailing, methods, and connections need to be reviewed and confirmed by a registered structural engineer.



01 LONGITUDINAL SECTION
SCALE: 3/4"=1'-0"



02 LATITUDINAL SECTION
SCALE: 3/4"=1'-0"

FINISH LIST	
ITEM	DESCRIPTION
PT-01	PAINT - RED
PT-05	PAINT - BEIGE
PT-06	PAINT - BROWN
TX-01	FABRIC
DD-01	BLACK LOCUST ROBI DECKING TILE

ISSUES AND REVISIONS		
#	DESCRIPTION	DATE
1	ISSUE FOR APPROVAL	08/22/23

DESIGNERS
WXY ARCHITECTURE + URBAN DESIGN
25 PARK PL.
NEW YORK, NY 10007

SITU FABRICATION
141 FLUSHING AVE.
BLDG 77 SUITE 508,
BROOKLYN, NY 11205

OWNER
SUNDAY TO SUNDAY
88 ORCHARD ST.
NEW YORK, NY 10002

COMMISSIONED BY
NYC DEPARTMENT OF TRANSPORTATION
55 WATER STREET
NEW YORK, NY 10041

DINING OUT NYC: SETUP MENU
CORNER SHOP DRAWINGS

SECTIONS	
DRAWN BY	CHECKED BY
MM	DJ
JOB #	DATE
[10266]	3/5/2024

DRAWING #
SF-201

FOR INFORMATIONAL PURPOSES ONLY

SITU/Fabrication

SHOP
63 FLUSHING AVE, BLDG 132
BROOKLYN, NY 11205
TEL. 718.855.2170
www.situ.nyc/fabrication

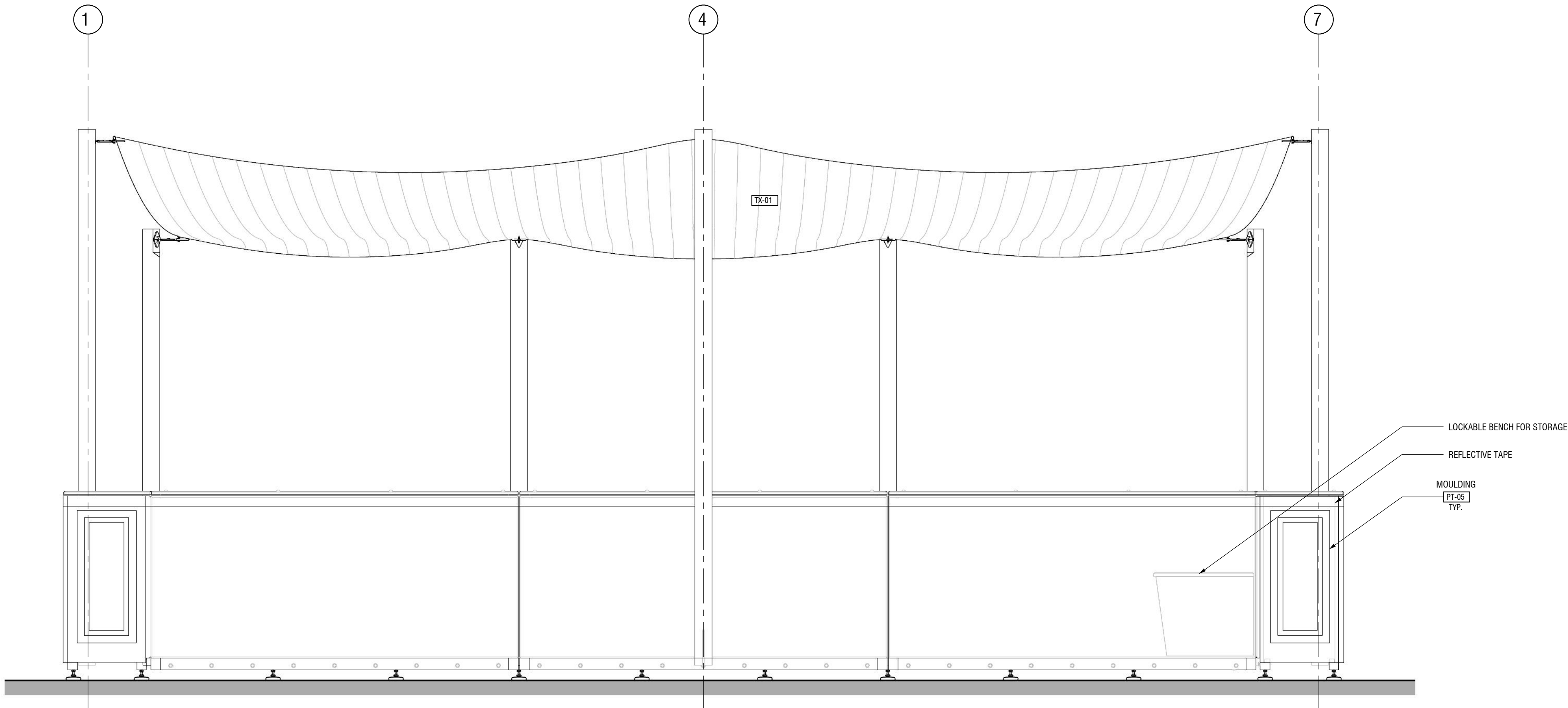
OFFICE
141 FLUSHING AVE, BLDG 77, SUITE 508
BROOKLYN, NY 11205
TEL. 718.237.5795

© 2022 SITU FABRICATION LLC. ALL RIGHTS RESERVED

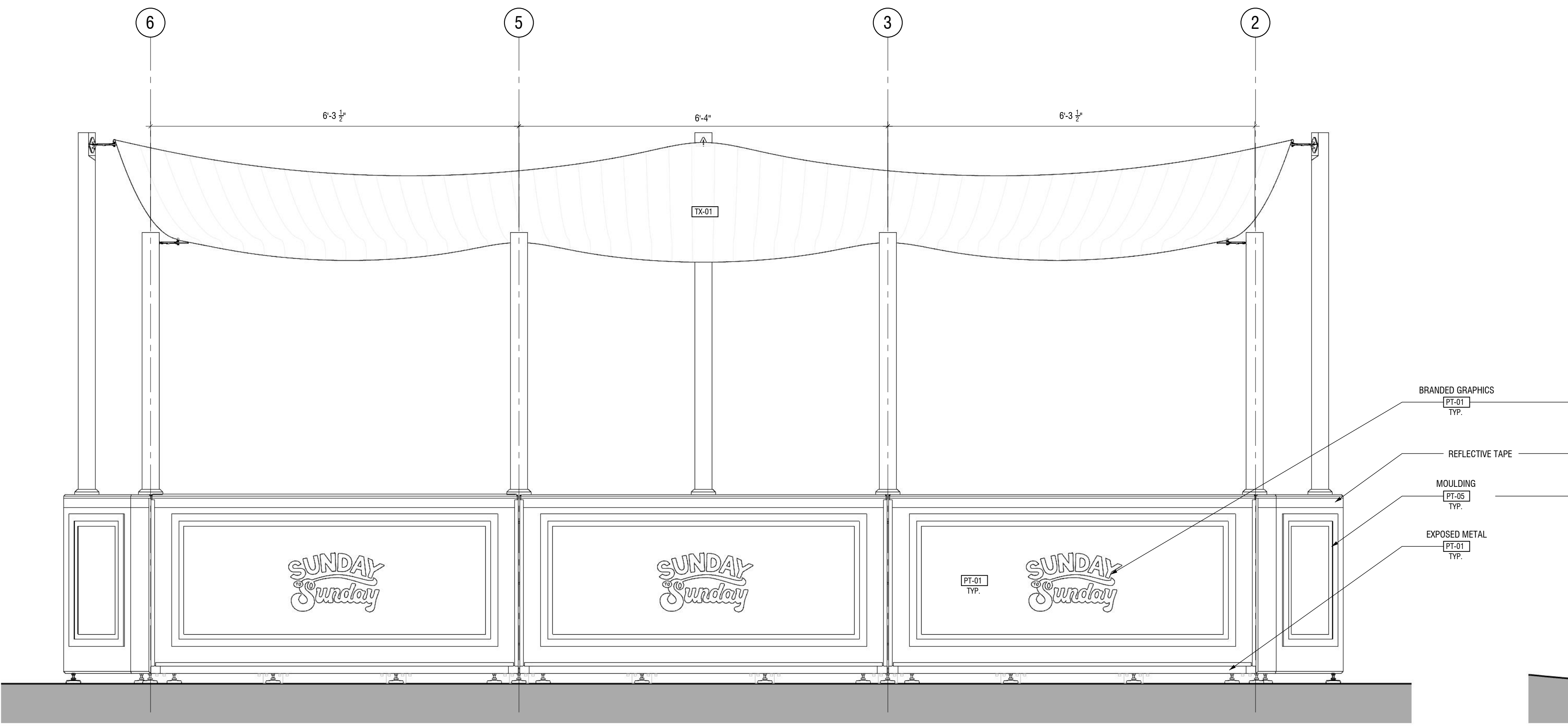
The City has made available for download drawings from the Dining Out NYC Setup Menu Prototype project that were prepared by a registered design professional. These drawings have been made available for informational purposes only. The drawings are provided as-is, and the City of New York disclaims to the greatest extent permitted by law any and all warranties in connection with them.

Each drawing was designed and developed for a specific prototype location and may not be appropriate for other locations. Every location has unique features and site conditions, so make sure that every outdoor dining setup component you choose is appropriate for your sidewalk or roadway cafe.

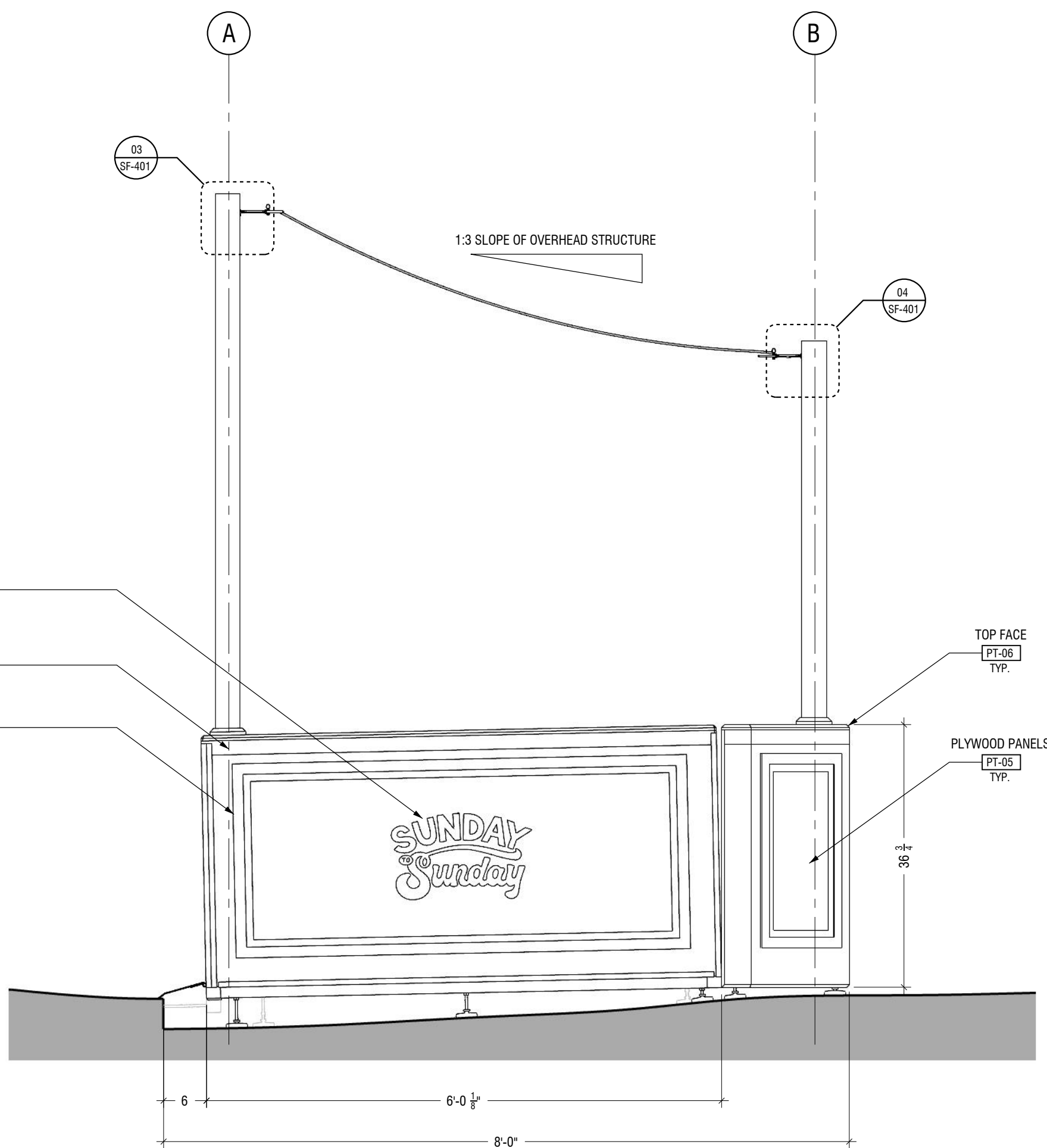
These drawings and all information contained within, both directly and inferred, are for design guidance only and not to be used for construction, fabrication, or installation. SITU Fabrication ("SITU") and WXY Architecture and Urban Design ("WXY") accept no liability for any type of use of these drawings. SITU and WXY have no responsibility for any deficiencies, inaccuracies, errors and/or omissions contained in these drawings. Compliance with ADA and NYC Building Code needs to be reviewed and confirmed by a registered design professional. All systems, hardware, materials, detailing, methods, and connections need to be reviewed and confirmed by a registered structural engineer.



01 SIDEWALK ELEVATION
SCALE: 3/4"=1'-0"



02 STREET ELEVATION
SCALE: 3/4"=1'-0"



03 SIDE ELEVATION
SCALE: 3/4"=1'-0"

FINISH LIST	
ITEM	DESCRIPTION
[PT-01]	PAINT - RED
[PT-05]	PAINT - BEIGE
[PT-06]	PAINT - BROWN
[TX-01]	FABRIC
[WD-01]	BLACK LOCUST ROBI DECKING TILE

ISSUES AND REVISIONS		
#	DESCRIPTION	DATE
1	ISSUE FOR APPROVAL	08/22/23

DESIGNERS:
WXY ARCHITECTURE
+ URBAN DESIGN
25 PARK PL.
NEW YORK, NY 10007

SITU FABRICATION
141 FLUSHING AVE.
BLDG 77 SUITE 508,
BROOKLYN, NY 11205

OWNER:
SUNDAY TO SUNDAY
88 ORCHARD ST.
NEW YORK, NY 10002

COMMISSIONED BY:
NYC DEPARTMENT OF TRANSPORTATION
35 WATER STREET
NEW YORK, NY 10041

DINING OUT NYC: SETUP MENU
CORNER SHOP DRAWINGS

ELEVATIONS	
DRAWN BY	CHECKED BY
MM	DJ
JOB #	DATE
[10266]	3/5/2024

DRAWING #
SF-202

FOR INFORMATIONAL PURPOSES ONLY

SITU/Fabrication

SHOP
63 FLUSHING AVE, BLDG 132
BROOKLYN, NY 11205
TEL. 718.855.2170
www.situ.nyc/fabrication

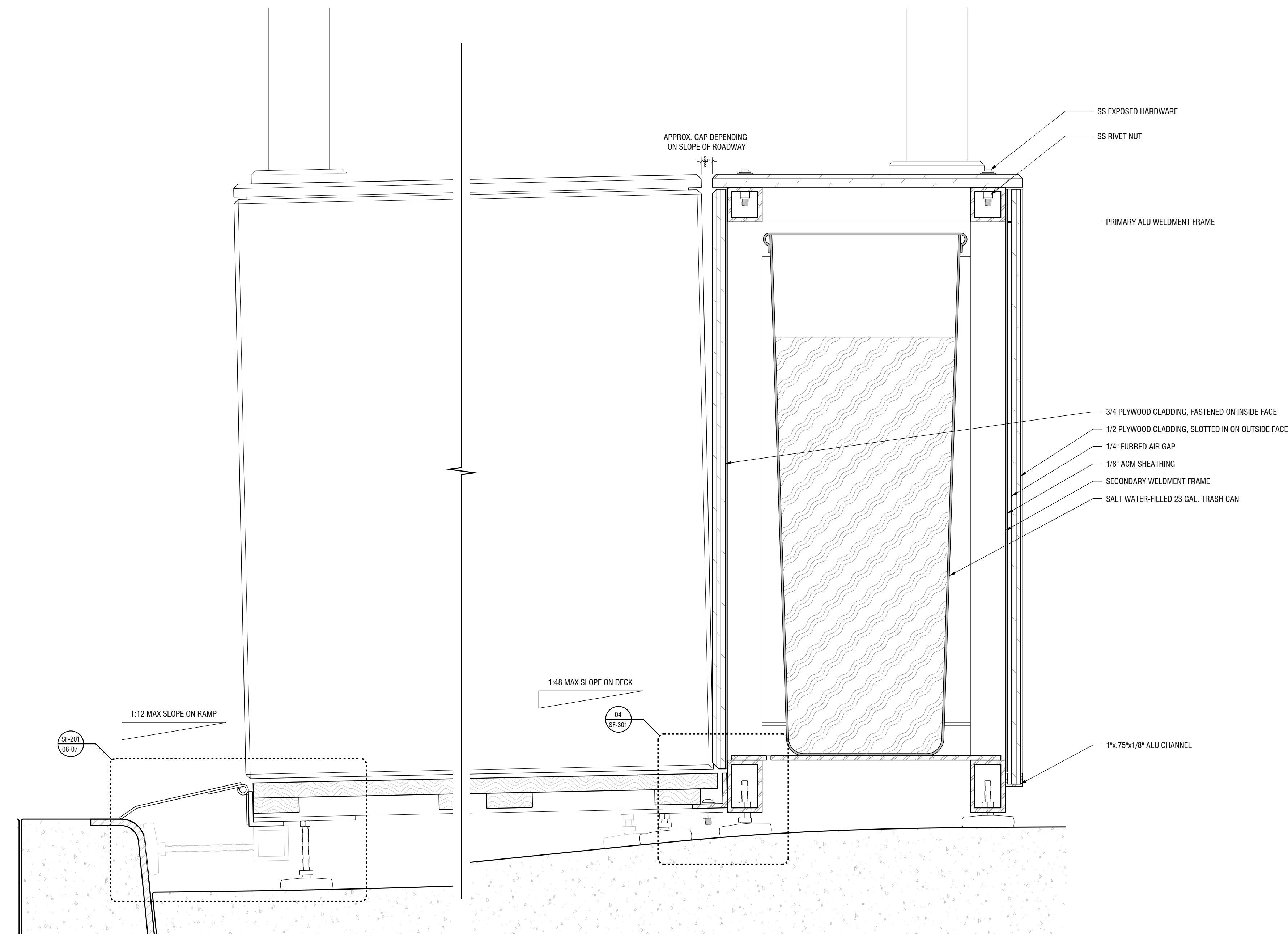
OFFICE
141 FLUSHING AVE, BLDG 77, SUITE 508
BROOKLYN, NY 11205
TEL. 718.237.5795

© 2022 SITU FABRICATION LLC. ALL RIGHTS RESERVED

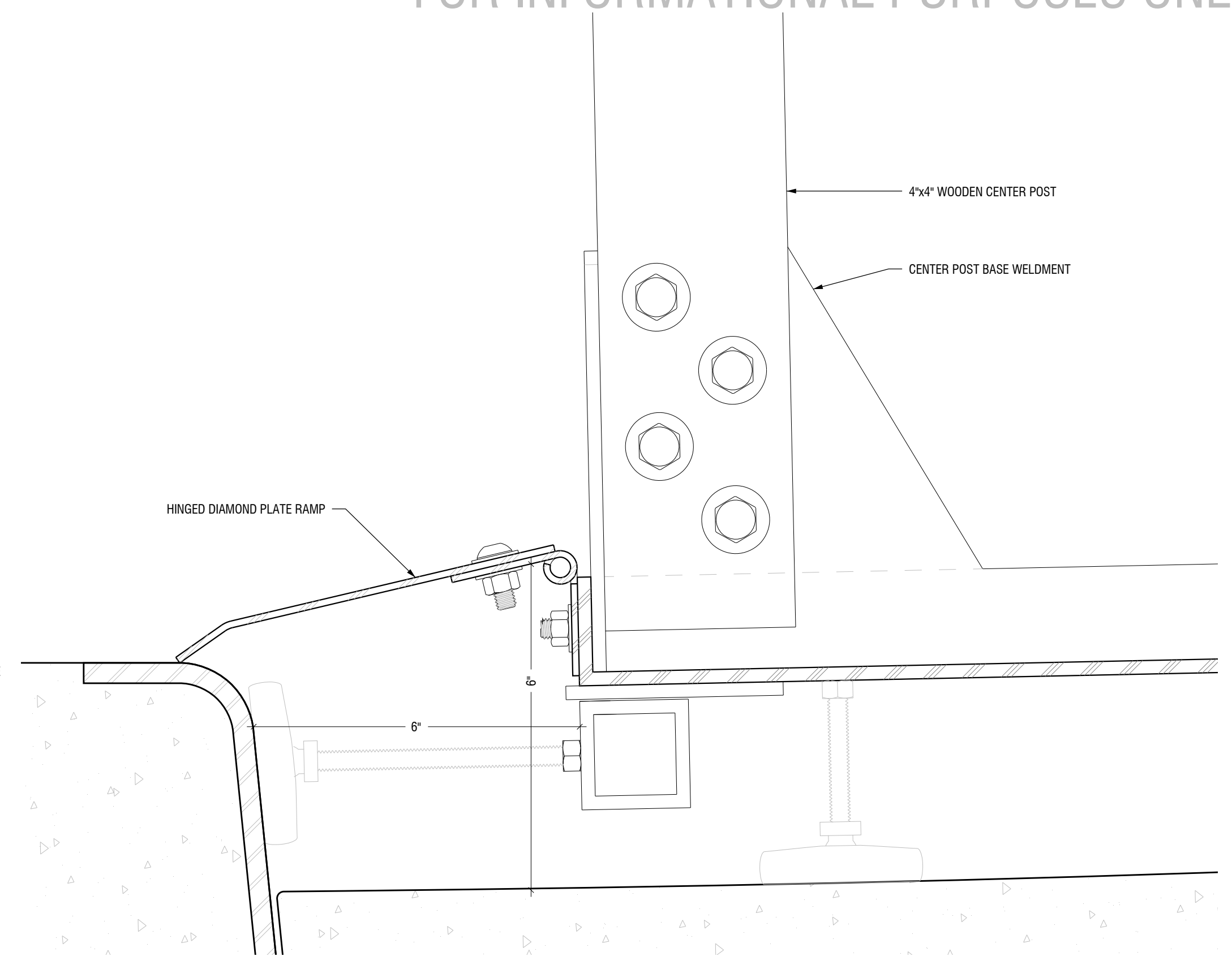
The City has made available for download drawings from the Dining Out NYC Setup Menu Prototype project that were prepared by a registered design professional. These drawings have been made available for informational purposes only. The drawings are provided as-is, and the City of New York disclaims to the greatest extent permitted by law any and all warranties in connection with them.

Each drawing was designed and developed for a specific prototype location and may not be appropriate for other locations. Every location has unique features and site conditions, so make sure that every outdoor dining setup component you choose is appropriate for your sidewalk or roadway cafe.

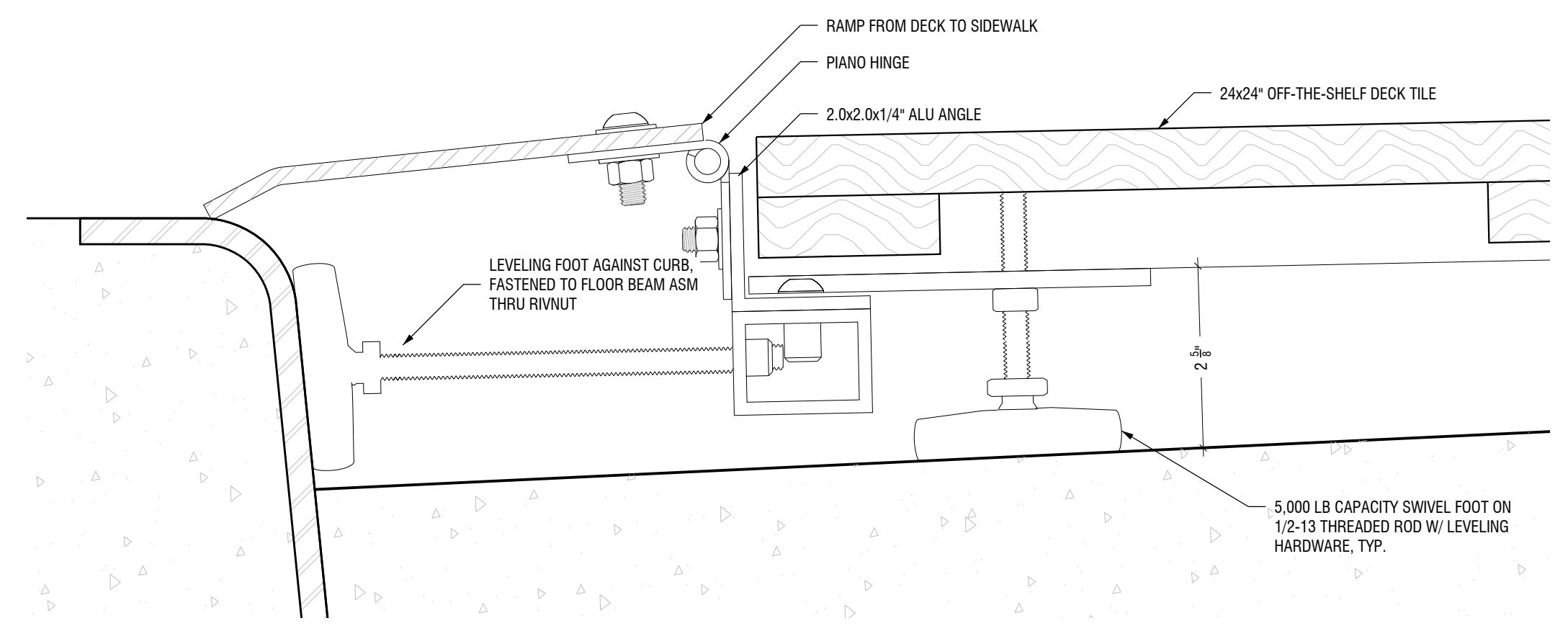
These drawings and all information contained within, both directly and inferred, are for design guidance only and not to be used for construction, fabrication, or installation. SITU Fabrication ("SITU") and WXY Architecture and Urban Design ("WXY") accept no liability for any type of use of these drawings. SITU and WXY have no responsibility for any deficiencies, inaccuracies, errors and/or omissions contained in these drawings. Compliance with ADA and NYC Building Code needs to be reviewed and confirmed by a registered design professional. All systems, hardware, materials, detailing, methods, and connections need to be reviewed and confirmed by a registered structural engineer.



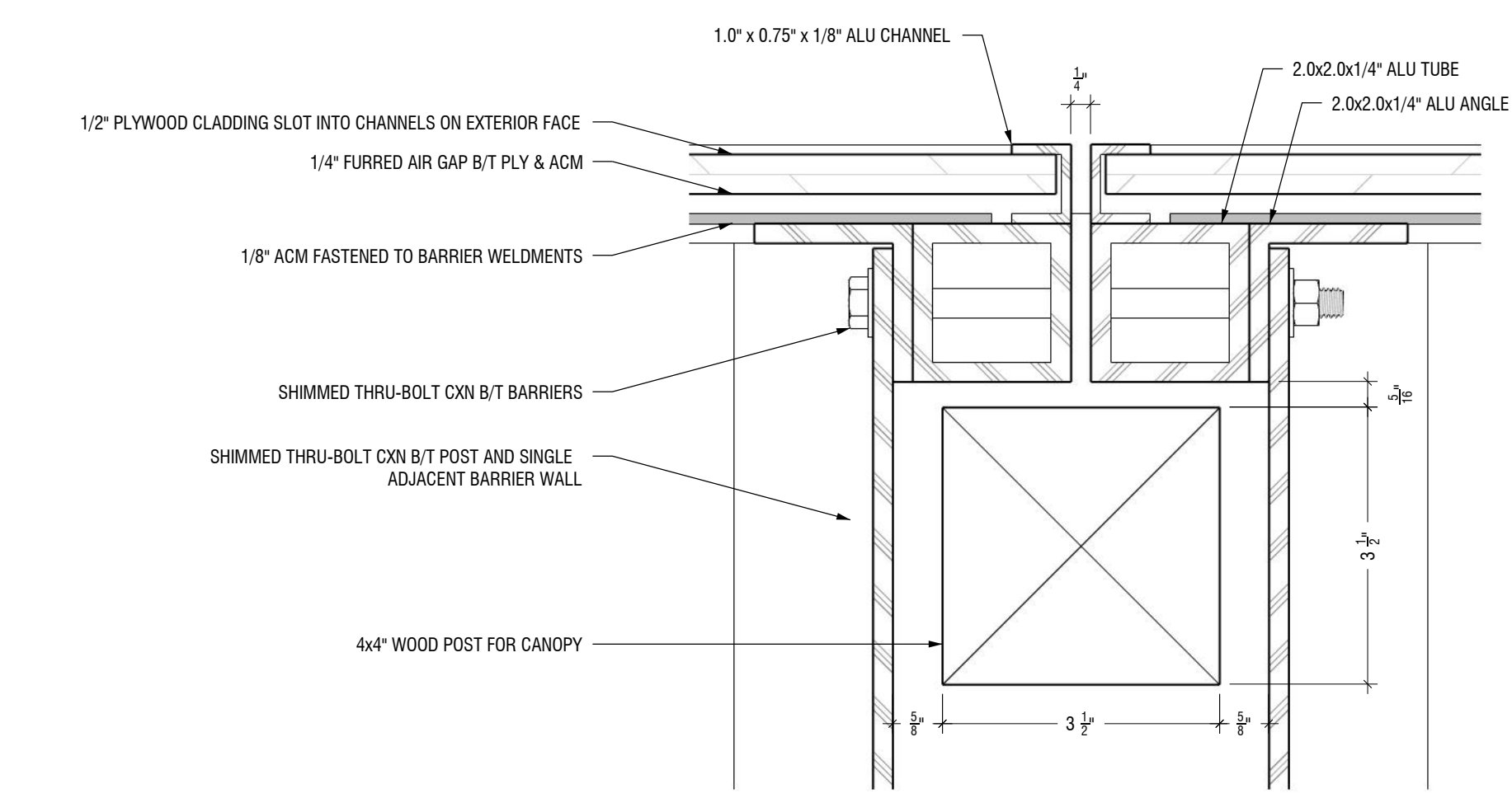
01 BARRIER SECTION
SCALE: 3/8"=1'-0"



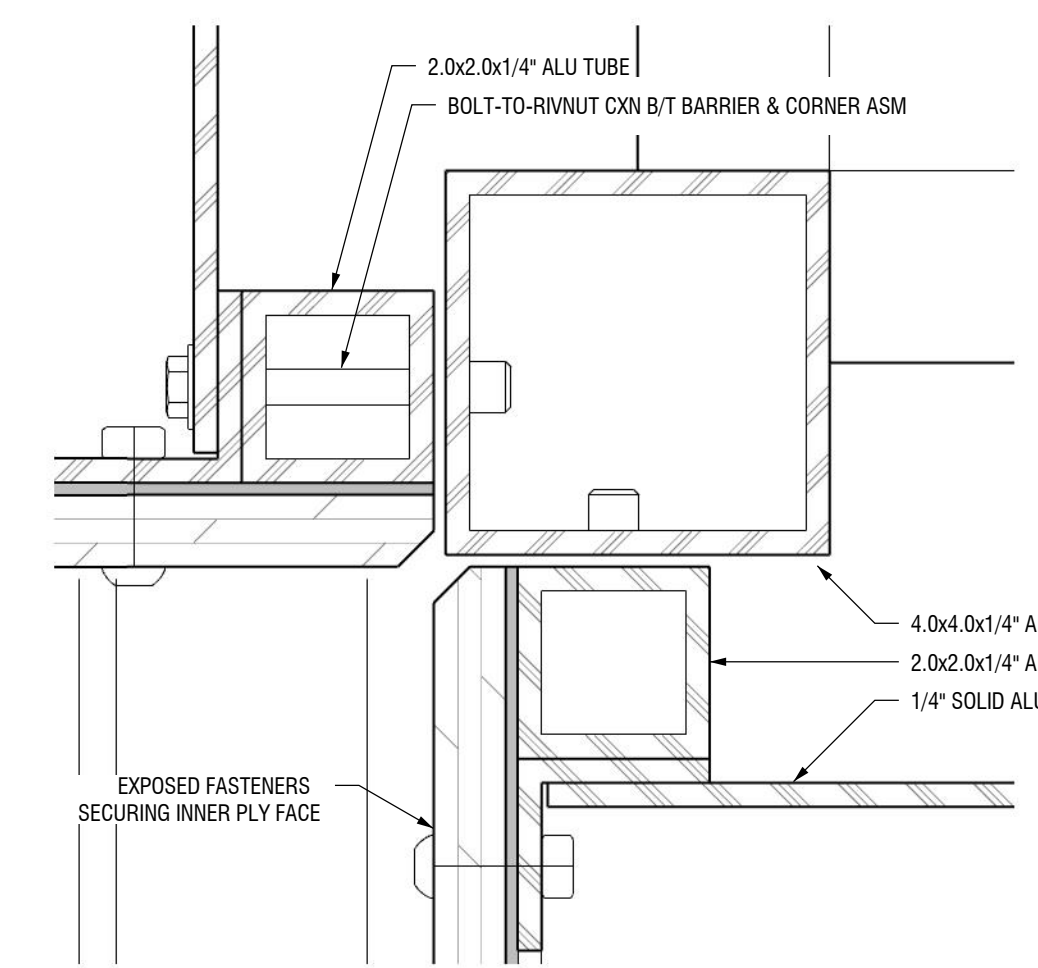
07 DETAIL: FLOOR-TO-BARRIER CXN AT COLUMN
SCALE: 3/8"=1'-0"



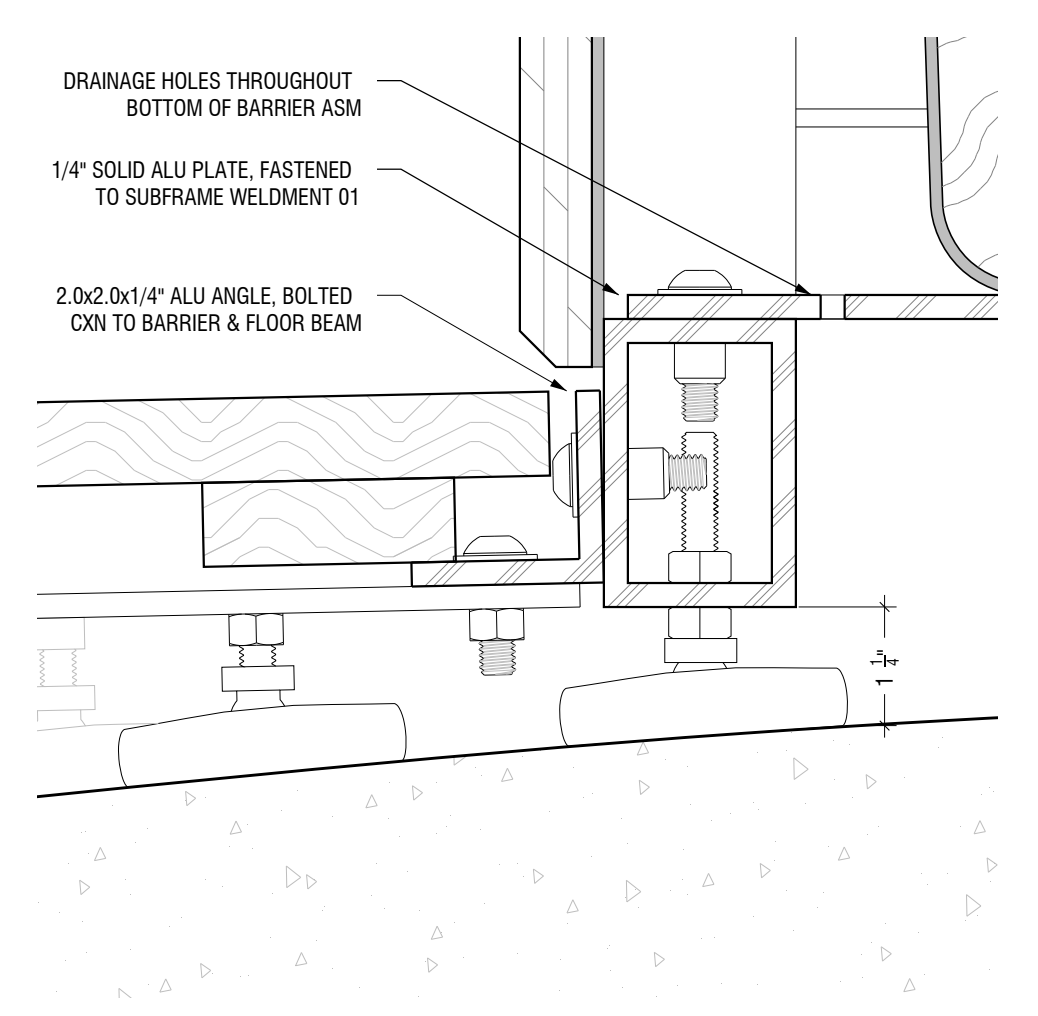
06 DETAIL: FLOOR-TO-BARRIER CXN
SCALE: 3/8"=1'-0"



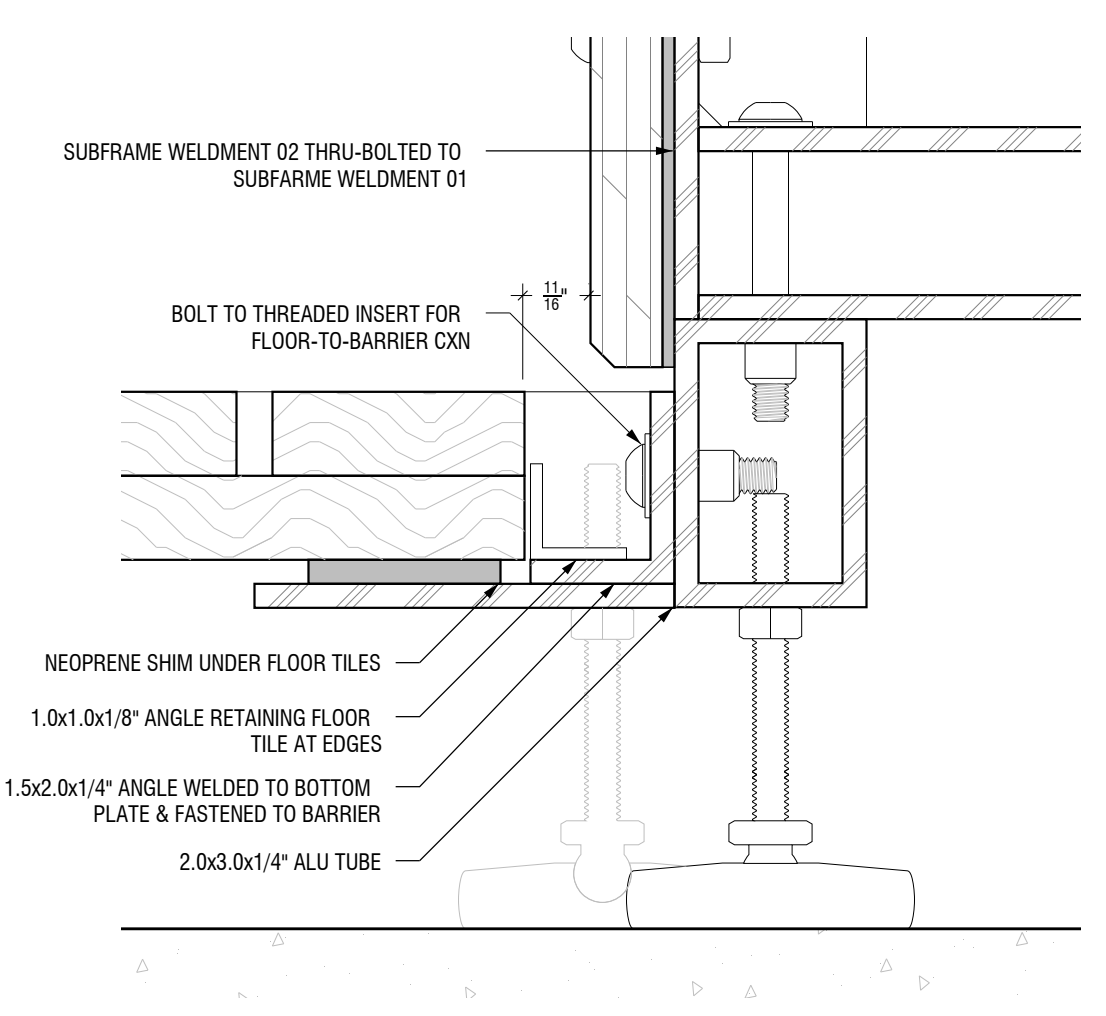
02 DETAIL: BARRIER-TO-BARRIER CXN
SCALE: 3/8"=1'-0"



03 DETAIL: BARRIER-TO-CORNER CXN
SCALE: 3/8"=1'-0"



04 DETAIL: FLOOR-TO-BARRIER CXN
SCALE: 3/8"=1'-0"



05 DETAIL: FLOOR-TO-BARRIER CXN, EDGE
SCALE: 3/8"=1'-0"

FINISH LIST	
ITEM	DESCRIPTION
PT-01	PAINT - RED
PT-05	PAINT - BEIGE
PT-06	PAINT - BROWN
TX-01	FABRIC
WD-01	BLACK LOCUST ROBI DECKING TILE

ISSUES AND REVISIONS		
#	DESCRIPTION	DATE
1	ISSUE FOR APPROVAL	08/22/23

DESIGNERS
WXY ARCHITECTURE
+ URBAN DESIGN
25 PARK PL.
NEW YORK, NY 10007

SITU FABRICATION
141 FLUSHING AVE.
BLDG 77 SUITE 508,
BROOKLYN, NY 11205

OWNER
SUNDAY TO SUNDAY
88 ORCHARD ST.
NEW YORK, NY 10002

COMMISSIONED BY
NYC DEPARTMENT OF TRANSPORTATION
35 WATER STREET
NEW YORK, NY 10041

DINING OUT NYC: SETUP MENU
CORNER SHOP DRAWINGS

SECTIONS & DETAILS

DRAWN BY MM CHECKED BY DJ
JOB # [10266] DATE 3/5/2024
DRAWING #

SF-301

SHOP
63 FLUSHING AVE, BLDG 132
BROOKLYN, NY 11205
TEL. 718.855.2170
www.situ.nyc/fabrication

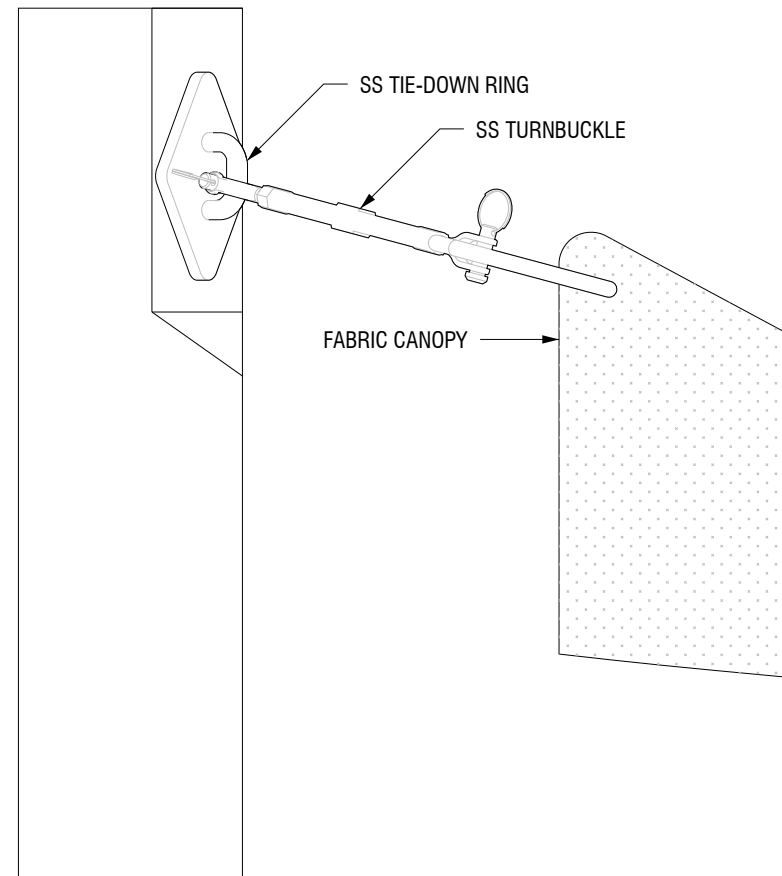
OFFICE
141 FLUSHING AVE, BLDG 77, SUITE 508
BROOKLYN, NY 11205
TEL. 718.237.5795

© 2022 SITU FABRICATION LLC. ALL RIGHTS RESERVED

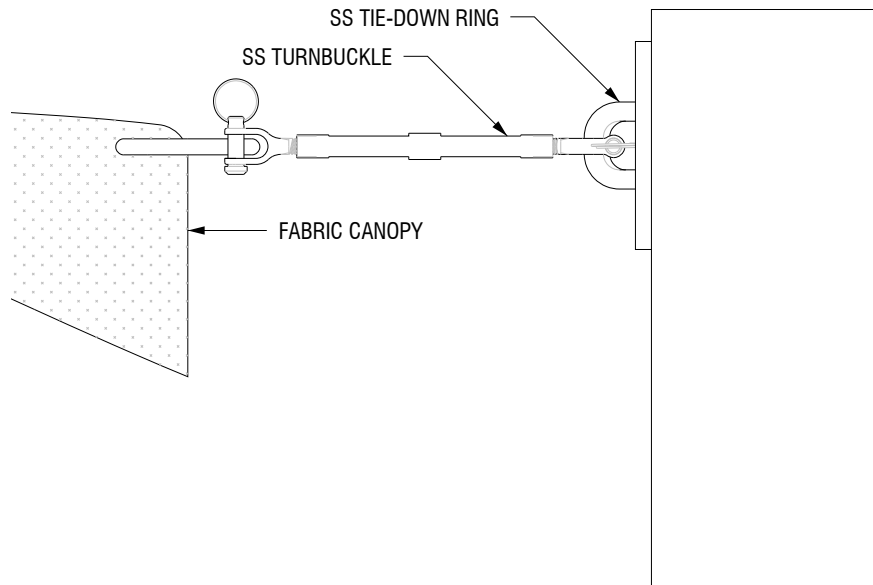
The City has made available for download drawings from the Dining Out NYC Setup Menu Prototype project that were prepared by a registered design professional. These drawings have been made available for informational purposes only. The drawings are provided as-is, and the City of New York disclaims to the greatest extent permitted by law any and all warranties in connection with them.

Each drawing was designed and developed for a specific prototype location and may not be appropriate for other locations. Every location has unique features and site conditions, so make sure that every outdoor dining setup component you choose is appropriate for your sidewalk or roadway cafe.

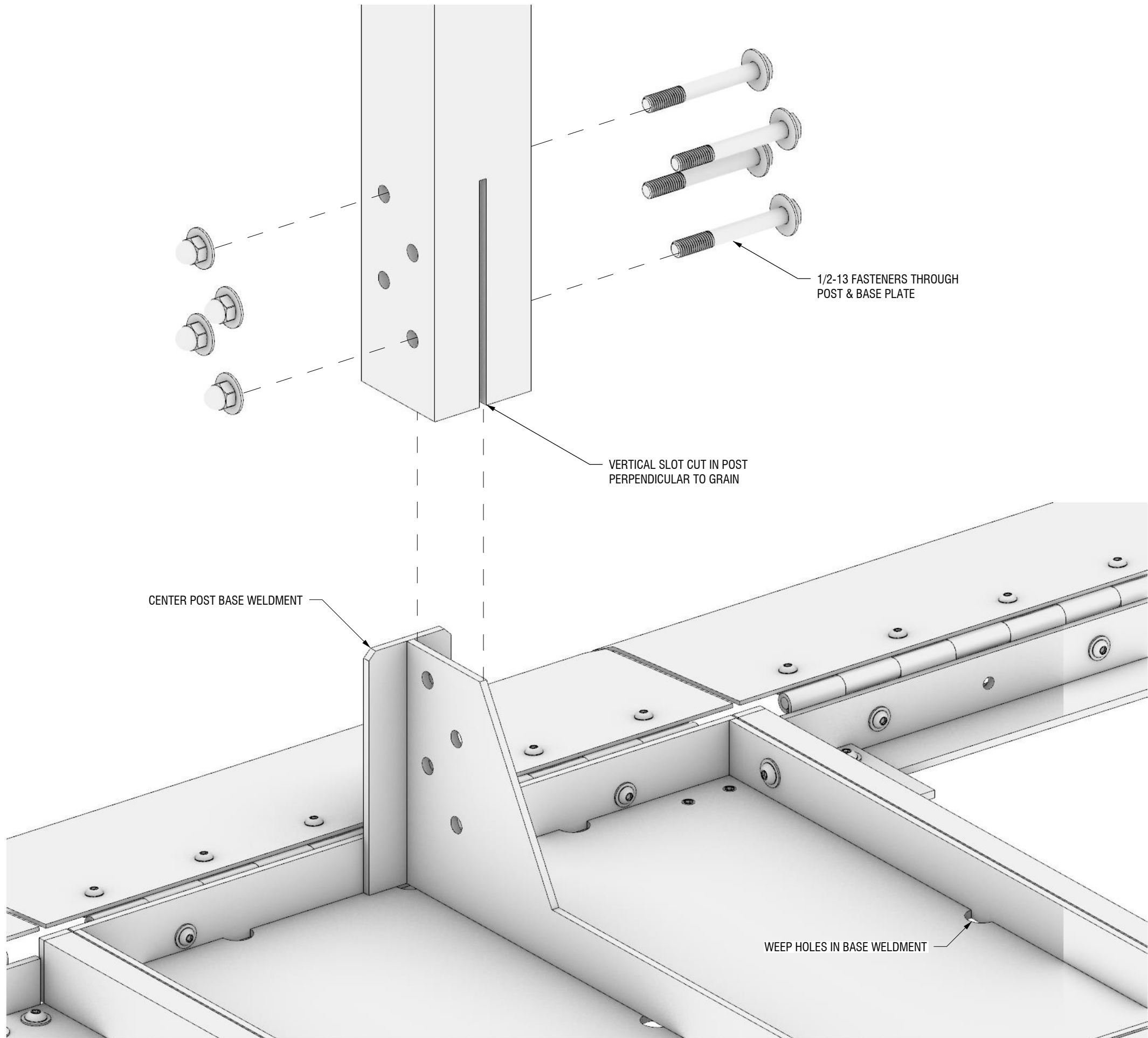
These drawings and all information contained within, both directly and inferred, are for design guidance only and not to be used for construction, fabrication, or installation. SITU Fabrication ("SITU") and WXY Architecture and Urban Design ("WXY") accept no liability for any type of use of these drawings. SITU and WXY have no responsibility for any deficiencies, inaccuracies, errors and/or omissions contained in these drawings. Compliance with ADA and NYC Building Code needs to be reviewed and confirmed by a registered design professional. All systems, hardware, materials, detailing, methods, and connections need to be reviewed and confirmed by a registered structural engineer.



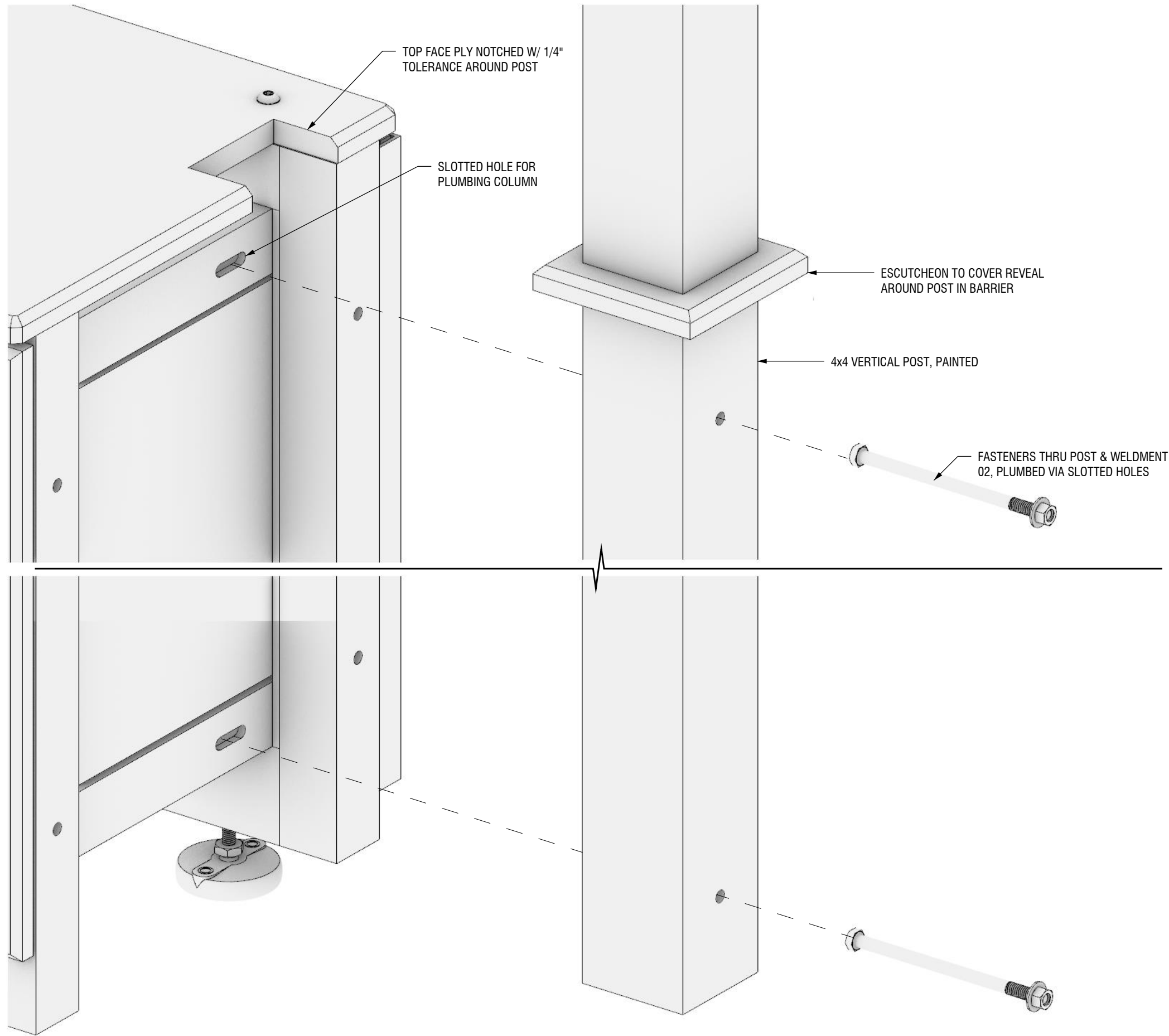
03 POST-CANOPY ATTACHMENT, CENTER
SCALE: 4"=1'-0"



04 POST-CANOPY ATTACHMENT, CORNER
SCALE: 4"=1'-0"



01 CENTER POST BASE ATTACHMENT
NOT TO SCALE



02 BARRIER POST ATTACHMENT
NOT TO SCALE

FINISH LIST	
ITEM	DESCRIPTION
PT-01	PAINT - RED
PT-05	PAINT - BEIGE
PT-06	PAINT - BROWN
TX-01	FABRIC
DD-01	BLACK LOCUST ROBI DECKING TILE

ISSUES AND REVISIONS		
#	DESCRIPTION	DATE
1	ISSUE FOR APPROVAL	08/22/23

DESIGNERS
WXY ARCHITECTURE + URBAN DESIGN
25 PARK PL.
NEW YORK, NY 10007

SITU FABRICATION
141 FLUSHING AVE.
BLDG 77 SUITE 508,
BROOKLYN, NY 11205

OWNER
SUNDAY TO SUNDAY
88 ORCHARD ST.
NEW YORK, NY 10002

COMMISSIONED BY
NYC DEPARTMENT OF TRANSPORTATION
35 WATER STREET
NEW YORK, NY 10041

DINING OUT NYC: SETUP MENU
CORNER SHOP DRAWINGS

ASSEMBLY AXON

DRAWN BY MM CHECKED BY DJ
JOB # [10266] DATE 3/5/2024

DRAWING # SF-401

SHOP
63 FLUSHING AVE, BLDG 132
BROOKLYN, NY 11205
TEL. 718.855.2170
www.situ.nyc/fabrication

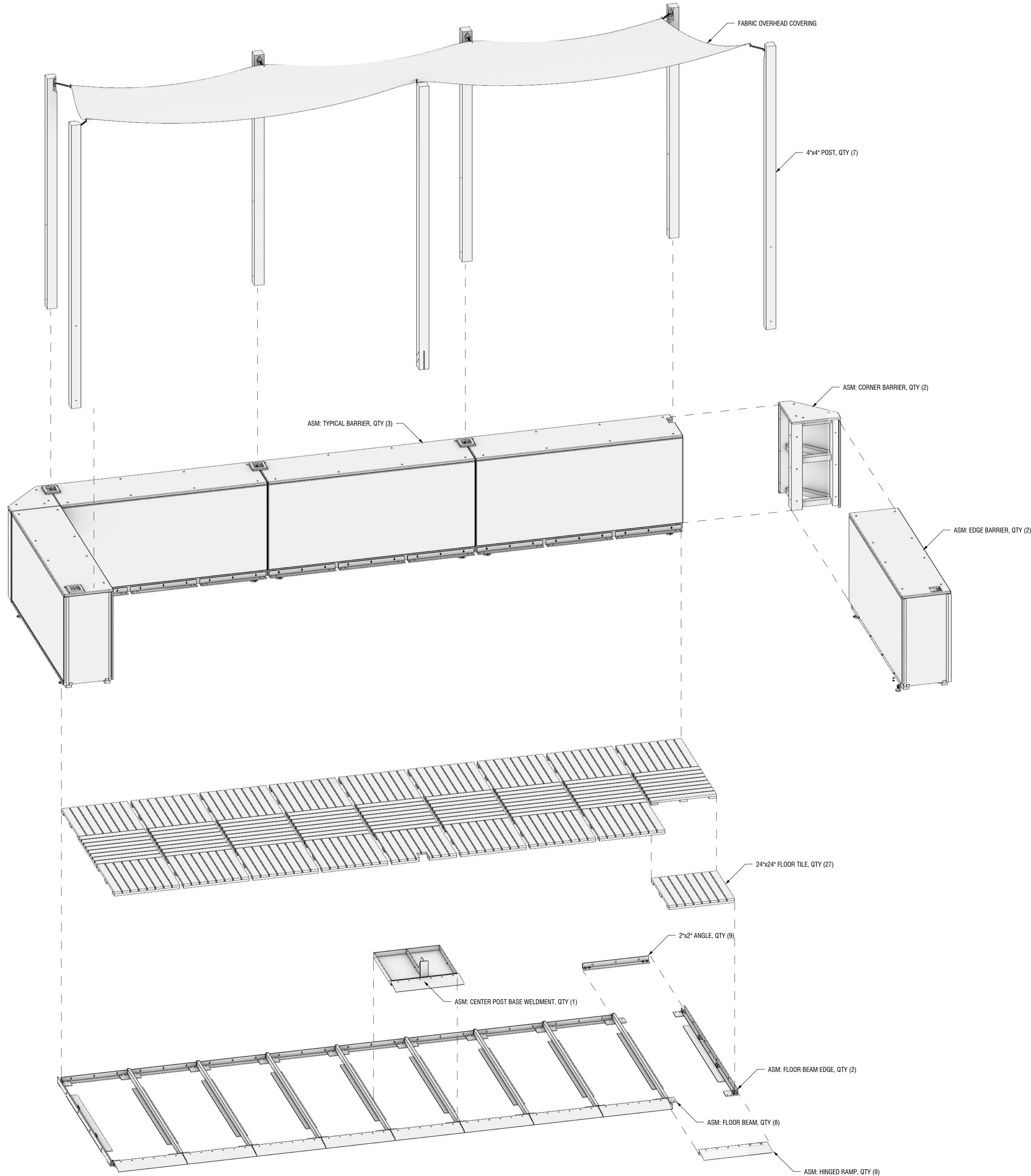
OFFICE
141 FLUSHING AVE, BLDG 77, SUITE 508
BROOKLYN, NY 11205
TEL. 718.237.5795

© 2022 SITU FABRICATION LLC. ALL RIGHTS RESERVED

The City has made available for download drawings from the Dining Out NYC Setup Menu Prototype project that were prepared by a registered design professional. These drawings have been made available for informational purposes only. The drawings are provided as-is, and the City of New York disclaims to the greatest extent permitted by law any and all warranties in connection with them.

Each drawing was designed and developed for a specific prototype location and may not be appropriate for other locations. Every location has unique features and site conditions, so make sure that every outdoor dining setup component you choose is appropriate for your sidewalk or roadway cafe.

These drawings and all information contained within, both directly and inferred, are for design guidance only and not to be used for construction, fabrication, or installation. SITU Fabrication ("SITU") and WXY Architecture and Urban Design ("WXY") accept no liability for any type of use of these drawings. SITU and WXY have no responsibility for any deficiencies, inaccuracies, errors and/or omissions contained in these drawings. Compliance with ADA and NYC Building Code needs to be reviewed and confirmed by a registered design professional. All systems, hardware, materials, detailing, methods, and connections need to be reviewed and confirmed by a registered structural engineer.



FINISH LIST

ITEM	DESCRIPTION
PT-01	PAINT - RED
PT-05	PAINT - BEIGE
PT-06	PAINT - BROWN
TX-01	FABRIC
WD-01	BLACK LOCUST ROBI DECKING TILE

ISSUES AND REVISIONS

#	DESCRIPTION	DATE
1	ISSUE FOR APPROVAL	08/22/23

DESIGNERS
WXY ARCHITECTURE + URBAN DESIGN
25 PARK PL.
NEW YORK, NY 10007

SITU FABRICATION
141 FLUSHING AVE.
BLDG 77 SUITE 508,
BROOKLYN, NY 11205

OWNER
SUNDAY TO SUNDAY
88 ORCHARD ST.
NEW YORK, NY 10002

COMMISSIONED BY
NYC DEPARTMENT OF TRANSPORTATION
25 WATER STREET
NEW YORK, NY 10041

DINING OUT NYC: SETUP MENU
CORNER SHOP DRAWINGS

EXPLODED ASM, OVERALL

DRAWN BY	MM	CHECKED BY	DJ
JOB #	[10266]	DATE	3/5/2024

DRAWING #
SF-402

FOR INFORMATIONAL PURPOSES ONLY

SITU/Fabrication

SHOP
63 FLUSHING AVE, BLDG 132
BROOKLYN, NY 11205
TEL. 718.855.2170
www.situ.nyc/fabrication

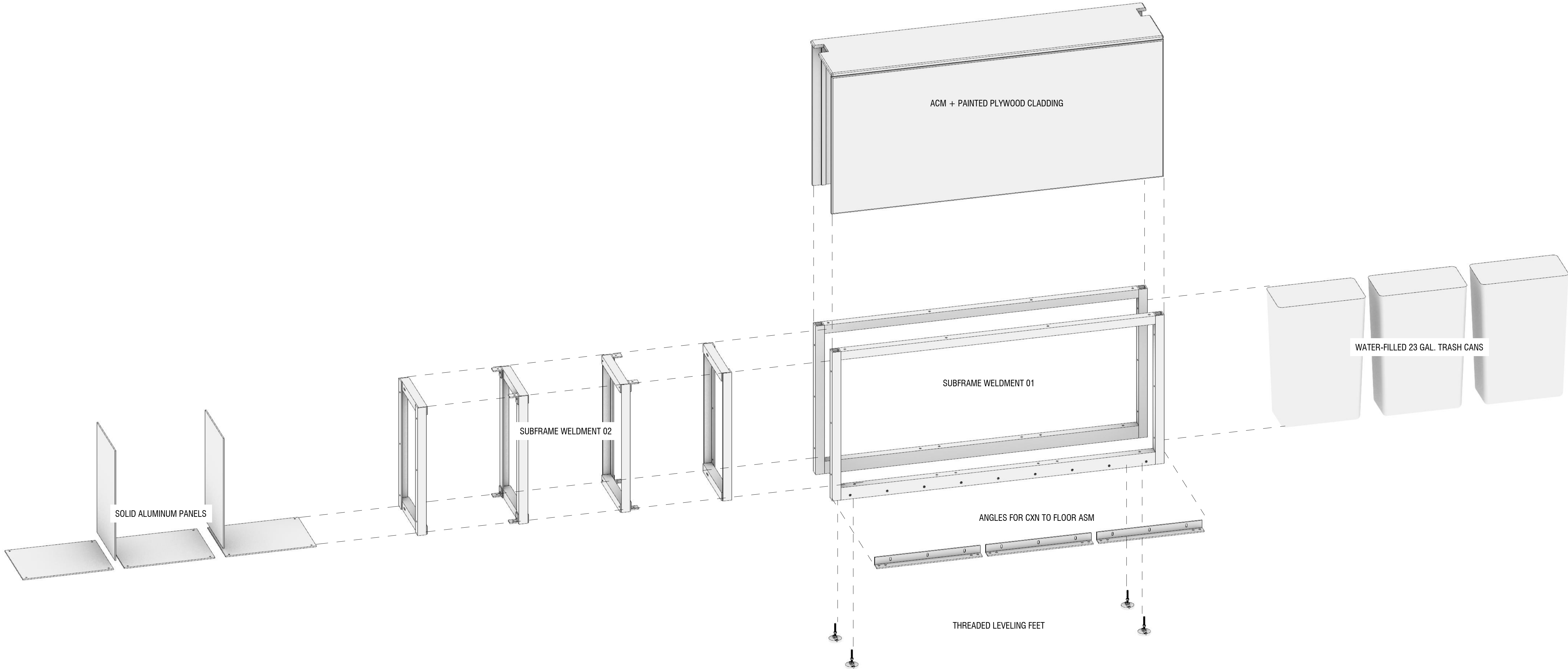
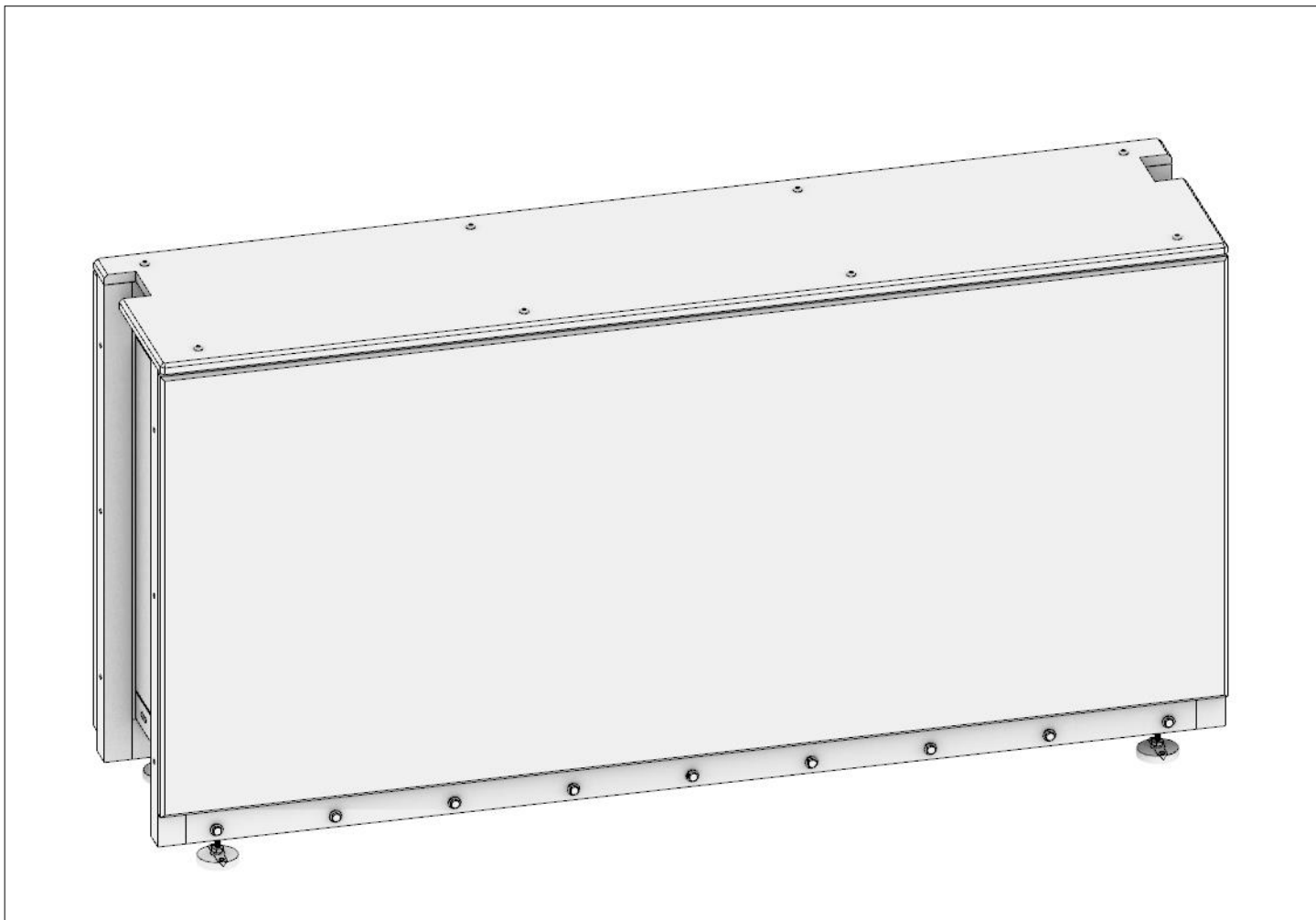
OFFICE
141 FLUSHING AVE, BLDG 77, SUITE 508
BROOKLYN, NY 11205
TEL. 718.237.5795

© 2022 SITU FABRICATION LLC. ALL RIGHTS RESERVED

The City has made available for download drawings from the Dining Out NYC Setup Menu Prototype project that were prepared by a registered design professional. These drawings have been made available for informational purposes only. The drawings are provided as-is, and the City of New York disclaims to the greatest extent permitted by law any and all warranties in connection with them.

Each drawing was designed and developed for a specific prototype location and may not be appropriate for other locations. Every location has unique features and site conditions, so make sure that every outdoor dining setup component you choose is appropriate for your sidewalk or roadway cafe.

These drawings and all information contained within, both directly and inferred, are for design guidance only and not to be used for construction, fabrication, or installation. SITU Fabrication ("SITU") and WXY Architecture and Urban Design ("WXY") accept no liability for any type of use of these drawings. SITU and WXY have no responsibility for any deficiencies, inaccuracies, errors and/or omissions contained in these drawings. Compliance with ADA and NYC Building Code needs to be reviewed and confirmed by a registered design professional. All systems, hardware, materials, detailing, methods, and connections need to be reviewed and confirmed by a registered structural engineer.



FINISH LIST	
ITEM	DESCRIPTION
PT-01	PAINT - RED
PT-05	PAINT - BEIGE
PT-06	PAINT - BROWN
TX-01	FABRIC
WD-01	BLACK LOCUST ROBI DECKING TILE

ISSUES AND REVISIONS		
#	DESCRIPTION	DATE
1	ISSUE FOR APPROVAL	08/22/23

DESIGNERS
WXY ARCHITECTURE
+ URBAN DESIGN
25 PARK PL.
NEW YORK, NY 10007

SITU
FABRICATION
141 FLUSHING AVE.
BLDG 77 SUITE 508,
BROOKLYN, NY 11205

OWNER
SUNDAY TO SUNDAY
88 ORCHARD ST.
NEW YORK, NY 10002

COMMISSIONED BY
NYC DEPARTMENT OF TRANSPORTATION
25 WATER STREET
NEW YORK, NY 10041

DINING OUT NYC: SETUP MENU
CORNER SHOP DRAWINGS

EXPLODED ASM, TYPICAL BARRIER

DRAWN BY	MM	CHECKED BY	DJ
JOB #	[10266]	DATE	3/5/2024

DRAWING #
SF-403